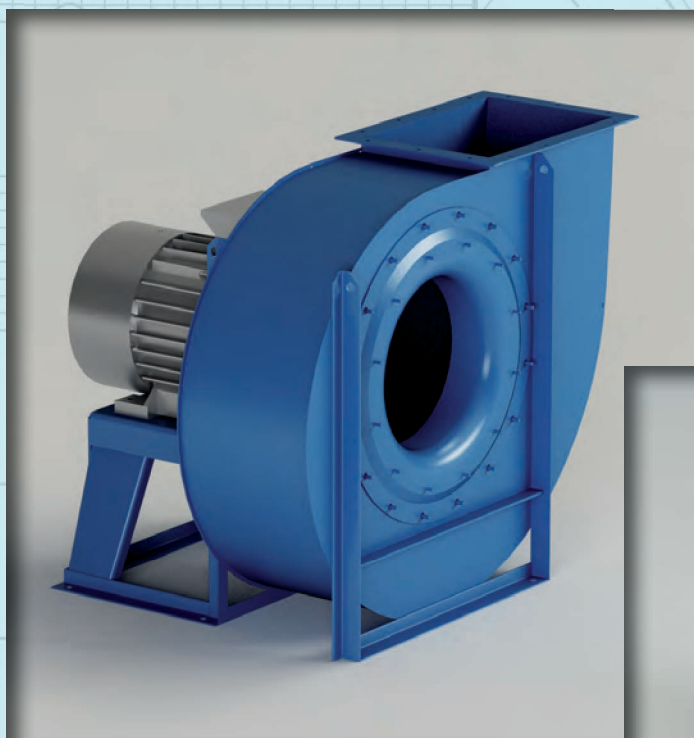


Mod. **PRU**

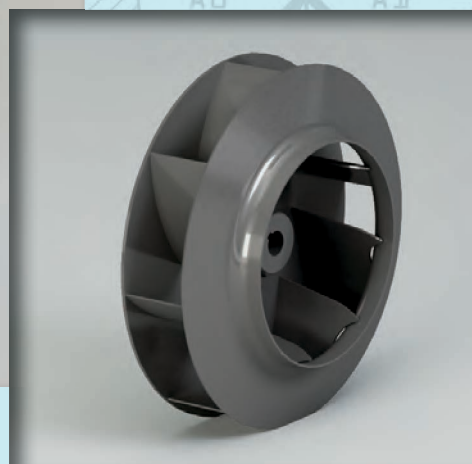


$Q = 360 \div 216000 \text{ m}^3/\text{h}$

$Q = 0.1 \div 60 \text{ m}^3/\text{s}$

$p_t = 70 \div 915 \text{ mmH}_2\text{O}$

$p_t = 700 \div 9000 \text{ Pa}$



Campo di lavoro

Portate piccole-medie-alte. Pressioni medie.

Tipo di pala

Curva, rovescia (negativa), vedi pag. 2.2.

Applicazioni

Per aspirazione di aria pulita e leggermente polverosa, per applicazioni nell'impiantistica industriale e nel condizionamento civile e industriale.

Esecuzioni costruttive standard

Es.1-Es.4-Es.5-Es.8-Es.9-Es.12, vedi pag. 2.5 - 2.6.

Temperature del fluido standard

-10÷+60°C. Per altre temperature vedi da pag. 1.12 a pag. 1.15.

Tipo di costruzione

Ventilatore in lamiera di Fe360, girante in Fe360 equilibrata staticamente e dinamicamente. Per altri materiali vedi da pag. 1.12 a pag. 1.15.

Dati di funzionamento

Condizioni dell'aria all'aspirazione T=20°C, 0m.s.l.m. e $\rho=1.205 \text{ kg/m}^3$.

Rumorosità

Espressa in potenza sonora L_{wA} [dB(A)] rilevata in campo libero con ventilatore canalizzato, vedi da pag. 1.43 a pag. 1.49.

Orientamenti

N°8 RD (rotazione oraria vista lato trasmissione) e N°8 LG. Ventilatore in versione imbullonata orientabile per le taglie 250-630, orientamento fisso per le taglie 710-2000. Vedi pag. 2.7.

Costruzioni speciali

Vedi da pag. 2.20 a pag. 2.34.

Classi giranti

La seguente tabella fa riferimento a condizioni di lavoro standard. In condizioni di esercizio gravose si consiglia di contattare il servizio clienti di CORAL per conoscere la tipologia di girante più idonea.

| GRANDEZZA VENTILATORE • Grandeur • Size • Größe • Tamaño | RPM MASSIMO • Maxi tours/min. • Max rpm • Max. U/min • R.p.m. máx. | | | |
|---|--|-----------|------------|-----------|
| | CLASSE I | CLASSE II | CLASSE III | CLASSE IV |
| PRU250 | 5000 | | | |
| PRU280 | 4750 | | | |
| PRU310 | 4500 | | | |
| PRU350 | 4250 | | | |
| PRU400 | 4000 | 5600 | | |
| PRU450/R | 3750 | 5400 | | |
| PRU450 | 3600 | 5000 | | |
| PRU500/R | 3500 | 4750 | | |
| PRU500 | 3400 | 4500 | 5000 | |
| PRU560/R | 3300 | 4250 | 4750 | |
| PRU560 | 3200 | 4000 | 4500 | |
| PRU630/R | 3100 | 3750 | 4250 | |
| PRU630 | 2960 | 3600 | 4000 | |
| PRU710/R | 2800 | 3400 | 3750 | |
| PRU710 | 2600 | 3200 | 3550 | |
| PRU800/R | 2500 | 3000 | 3350 | 3570 |
| PRU800 | 2350 | 2800 | 3150 | 3500 |
| PRU900/R | 2200 | 2650 | 3000 | 3300 |
| PRU900 | 2100 | 2500 | 2800 | 3100 |
| PRU1000/R | 2000 | 2350 | 2700 | |
| PRU1000 | 1900 | 2250 | 2550 | |
| PRU1120/R | 1800 | 2150 | 2400 | |
| PRU1120 | 1700 | 2000 | 2250 | |
| PRU1250/R | 1600 | 1900 | 2100 | |
| PRU1250 | 1500 | 1800 | 2000 | |
| PRU1400/R | 1400 | 1700 | 1900 | |
| PRU1400 | 1300 | 1600 | 1800 | |
| PRU1600 | 1100 | 1400 | 1600 | |
| PRU1800 | 1200 | 1350 | 1450 | |
| PRU2000 | 1000 | 1150 | 1250 | |

VALORI VALIDI FINO A 60°C

• Valeurs valables jusqu'à 60°C • Values valid up to 60°C
• Werte bis 60°C gültig • Valores válidos hasta 60°C

| FRA • entre • between • zwischen • entre | 60°C | E • et • and • und • y | 100°C | DECLASSARE VELOCITÀ • déclasser vitesse • degrade speed • Geschwindigkeit herabsetzen • rebajar velocidad | 4% |
|--|-------|------------------------------------|-------|---|-------|
| | 100°C | | 150°C | | 150°C |
| 200°C | 200°C | 200°C | 23% | | |
| 250°C | 250°C | 250°C | 30% | | |
| 300°C | 300°C | 300°C | 37% | | |
| 350°C | 350°C | 350°C | 45% | | |
| 400°C | 400°C | 400°C | 54% | | |
| 450°C | 450°C | 450°C | 64% | | |

■ Domaine de travail

Débits petits-moyens-élevés. Moyennes pressions.

Type d'ailette

Courbée, inversée (négative), voir page 2.2.

Applications

Pour aspiration et transport d'air propre ou poussiéreux, contenant également en faible quantité de la sciure, divers copeaux, des matières en granulés, sauf matières filamenteuses.

Configurations de constructions standard

Ex.1- Ex.4- Ex.5- Ex.8- Ex.9- Ex.12, voir pages 2.5 - 2.6.

Températures du fluide standard

-10÷+60°C. Pour d'autres températures voir pages 1.12-1.15.

Type de fabrication

Ventilateur en tôle de Fe360, turbine en Fe360 équilibrée statiquement et dynamiquement. Pour d'autres matériaux, voir pages 1.12-1.15.

Données de fonctionnement

Conditions de l'air à l'aspiration T=20°C, 0 m asl et $\rho=1.205 \text{ kg/m}^3$.

Niveau sonore

Exprimé en puissance sonore L_{wA} [dB(A)], relevé à l'air libre avec un ventilateur canalisé, voir pages 1.43 - 1.49.

Orientations

8 RD (rotation dans le sens des aiguilles d'une montre côté transmission) et 8 LG. Ventilateur en version boulonnée orientable pour les tailles 400-630, orientation fixe pour les tailles 710-2000. Voir page 2.7.

Fabrications spéciales

Voir pages 2.20-2.34.

Classes de turbines

Le tableau ci-dessus fait référence aux conditions de travail normales, en conditions de travail pénibles, on préconise de contacter le service clientèle de CORAL pour connaître le type de turbine le plus adapté.

■ Field of operation

Low-medium-high flow rates. Average pressures.

Blade type

Curve, backward (negative), see pg. 2.2.

Applications

For the inlet and transport of clean or dusty air, also containing low quantities of sawdust, various chips, granular materials, with the exclusion of filaments.

Standard constructional arrangements

Arr.1-Arr.4-Arr.5-Arr.8-Arr.9-Arr.12, see pgs. 2.5 - 2.6.

Standard fluid temperatures

-10÷+60°C. For other temperatures see pgs. 1.12 to 1.15.

Type of construction

Fan in Fe360 plate, impeller in Fe360 statically and dynamically balanced. For other materials see pgs. 1.12 to 1.15.

Operating specifications

Condition of inlet air T=20°C, 0 m above sea level and $\rho=1.205 \text{ kg/m}^3$.

Noise level

Expressed as sound power L_{wA} [dB(A)] measured in free field with ducted fan, see pgs. 1.43 to 1.49.

Orientations

No.8 RD (clockwise viewed from transmission side) and No.8 LG. Fan in bolted orientable version for sizes 400-630, fixed orientation for sizes 710-2000. See pg. 2.7.

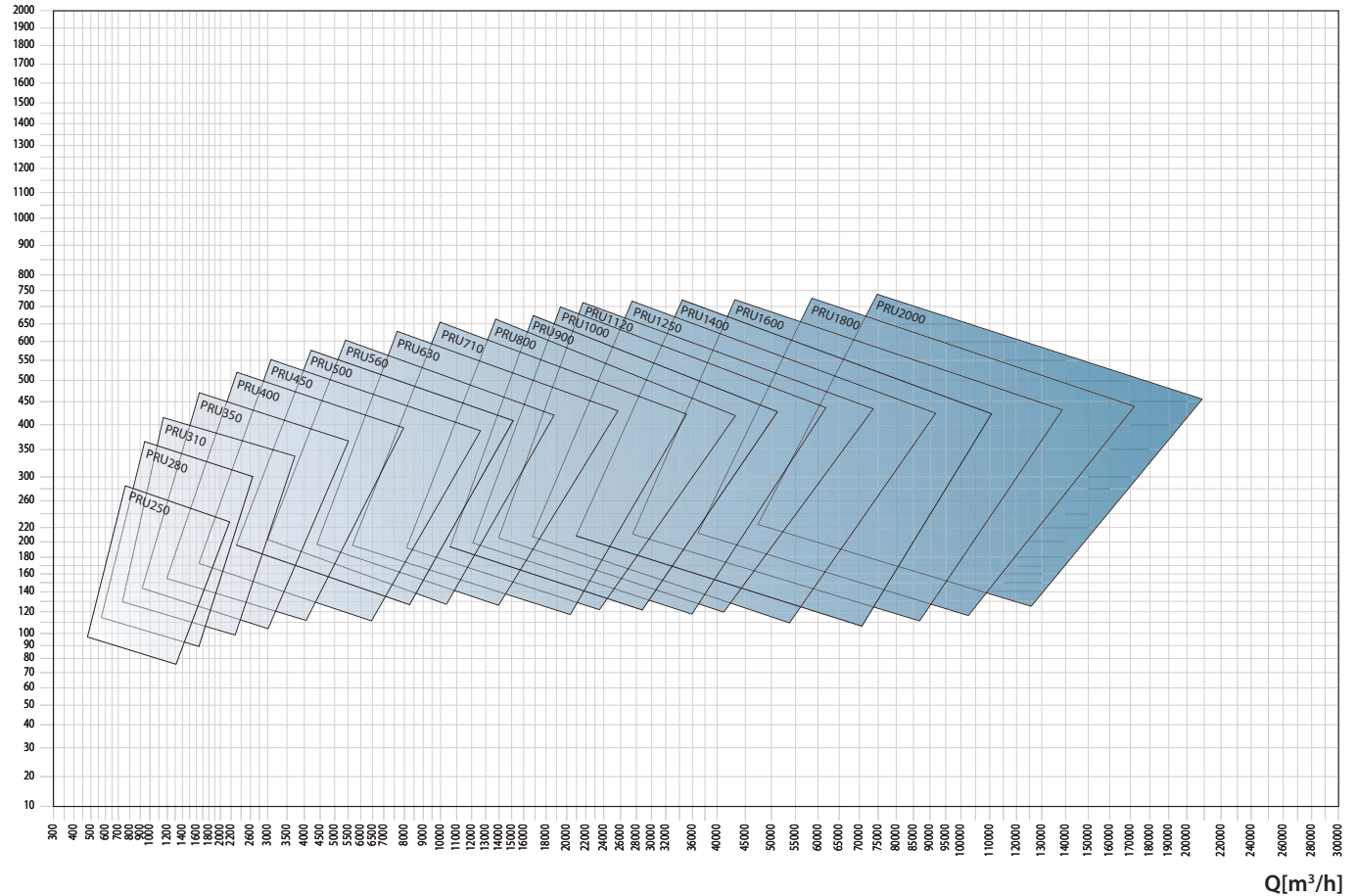
Special applications

See pgs. 2.20 to 2.34.

Impeller classes

The above table refers to standard operating conditions, in heavy-duty service conditions it is advisable to contact the CORAL Customer Service to establish the most suitable type of impeller.

pt [mmH₂O]



■ Arbeitsbereich

Niedrige - mittlere - grosse Fördermengen. Mittlere Drücke.

Schaufelform

Kurve, rückwärts gekrümmt (negativ), siehe Seite 2.2.

Anwendungen

Zur Absaugung und zum Transport von sauberer und staubhaltiger Luft, auch mit geringem Anteil von Sägestaub, Spänen verschiedener Art, Granulaten, ausser fadenförmigen Materialien.

Konstruktive Standardausführungen

Ausf. 1-Ausf. 4-Ausf. 5-Ausf. 8-Ausf. 9-Ausf. 12, siehe Seiten 2.5 - 2.6.

Standardtemperatur des Mediums

-10 ÷ +60°C. Für andere Temperaturen siehe Seiten 1.12 bis 1.15.

Konstruktionsart

Ventilator aus Blech Fe360, Laufrad aus Fe360, statisch und dynamisch ausgewuchtet. Für andere Materialien siehe Seiten 1.12 bis 1.15.

Betriebsdaten

Physikalischer Zustand der Ansaugluft T = 20°C, 0 m ü. M. und $\rho = 1.205 \text{ kg/m}^3$.

Geräuschpegel

angegeben als Schalleistungspegel L_{wA} [dB(A)] mit Messung im Freifeld und an Rohren angeschlossenem Ventilator, siehe Seiten 1.43 bis 1.49.

Ausrichtung

8 Modelle RD (Drehrichtung im Uhrzeigersinn, von Antriebsseite aus gesehen) und 8 Modelle LG. Angeschraubter, in der Ausrichtung veränderbarer Ventilator in den Grössen 400 - 630, mit Vorderstütze und damit nicht veränderbar ab Grösse 710 mit Riementrieb, immer ausrichtbar bei allen direkt angetriebenen Ventilatoren ohne Vorderstütze, siehe Seite 2.7.

Spezialausführungen

Siehe Seiten 2.20 bis 2.34.

Laufradklassen

Die obenstehende Tabelle bezieht sich auf normale Betriebsbedingungen. Bei erschwerenden Betriebsbedingungen wird empfohlen, den Kundenservice von CORAL zu kontaktieren, um den am besten geeigneten Laufradtyp zu bestimmen.

■ Campo de trabajo

Caudales pequeños-medios-altos. Presiones medias.

Tipo de pala

Curva, invertida (negativa), ver pág. 2.2.

Aplicaciones

Para aspiración y transporte de aire limpio o cargado de polvo, incluso con pequeñas cantidades de serrín, virutas de distintos tipos y materiales granulados, exceptuando los materiales filamentosos.

Variantes constructivas estándares

Ejec. 1-Ejec. 4-Ejec. 5-Ejec. 8-Ejec. 9-Ejec. 12, ver págs. 2.5 - 2.6.

Temperaturas del fluido estándares

De -10 a +60°C. Para otras temperaturas, ver págs. de 1.12 a 1.15.

Tipo de construcción

Ventilador de chapa en Fe360, rotor en Fe360 equilibrado estática y dinámicamente. Para otros materiales, ver págs. de 1.12 a 1.15.

Datos de funcionamiento

Condiciones del aire en aspiración T=20°C, 0 m SNM y $\rho = 1.205 \text{ kg/m}^3$.

Niveles de ruido

Expresados en potencia sonora L_{wA} [dB(A)] medida en campo abierto con ventilador canalizado, ver págs. de 1.43 a 1.49.

Orientaciones

8 RD (rotación dextrógira vista desde el lado de transmisión) y 8 LG. Ventilador en versión empennada orientable para tamaños 400-630, orientación fija para tamaños 710-2000. Ver pág. 2.7.

Construcciones especiales

Ver págs. de 2.20 a 2.34.

Clases de rotores

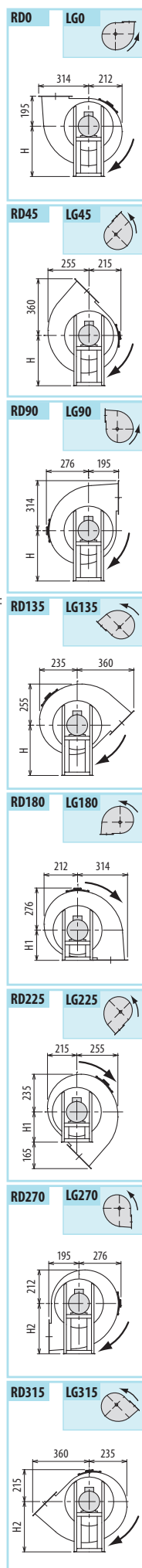
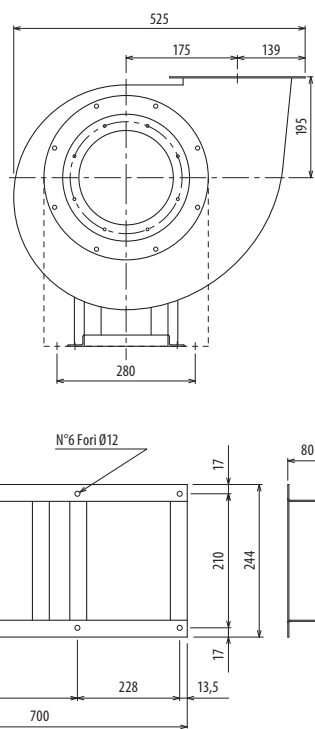
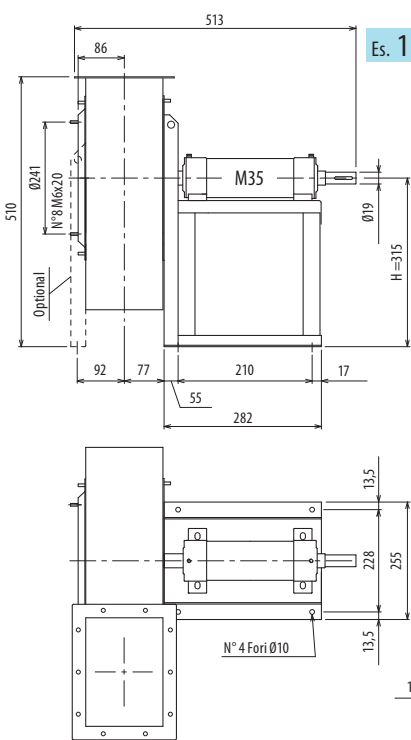
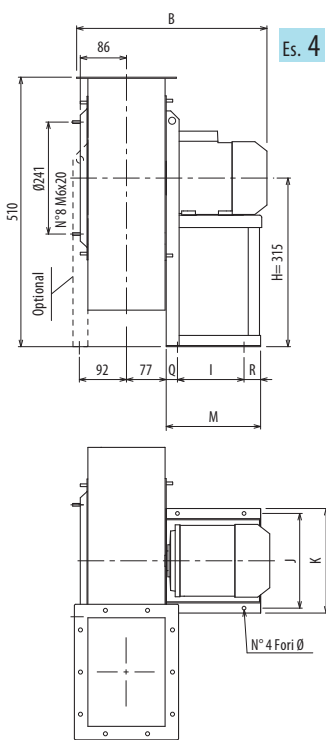
La tabla arriba hace referencia a condiciones de trabajo estándares, en condiciones de funcionamiento pesadas, se aconseja llamar al Servicio de atención al cliente de CORAL para conocer el tipo de rotor más adecuado.

| Tipo • Type • Type • Typ • Tipo | | P inst. [kW] | n | LpA [dB(A)] | Tolleranza sulla portata ±5% • Tolérance sur le débit ±5% • Load tolerance ±5% • Durchsatztoleranz ±5% • Tolerancia respecto caudal ±5% | | | | | | | | | | | | | | | | | | |
|---|---|------------------------|------|-------------|---|-----|-----|-----|-----|-----|-----|------|------|------|------|------|------|------|------|------|------|------|------|
| Ventilatore • Ventilateur • Fan • Ventilator • Ventilador | Motore • Moteur • Motor • Motor • Motor | | | | Q [m³/h] | | | | | | | | | | | | | | | | | | |
| | | | | | 470 | 540 | 650 | 720 | 790 | 865 | 935 | 1080 | 1225 | 1370 | 1440 | 1620 | 1800 | 2160 | 2520 | 2880 | 3240 | 3600 | 3960 |
| | | pt[mmH ₂ O] | | | | | | | | | | | | | | | | | | | | | |
| PRU250/2 | 71 | 0,37 | 2800 | 56 | 91 | 90 | 88 | 86 | 84 | 82 | 80 | 74 | | | | | | | | | | | |
| PRU280/2 | 71 | 0,55 | 2800 | 59 | | 115 | 114 | 113 | 112 | 111 | 109 | 106 | 101 | 96 | 93 | | | | | | | | |
| PRU310/2 | 80 | 1,1 | 2845 | 60 | | | | | 154 | 154 | 153 | 153 | 152 | 151 | 150 | 148 | 145 | 138 | | | | | |
| PRU350/2 | 90 | 2,2 | 2920 | 64 | | | | | | | | 200 | 198 | 197 | 196 | 195 | 194 | 192 | 189 | 183 | | | |
| PRU400/2 | 100 | 3 | 2930 | 68 | | | | | | | | | | | 257 | 256 | 255 | 255 | 254 | 249 | | | |
| PRU400/2 | 112 | 4 | 2940 | 68 | | | | | | | | | | | 257 | 256 | 255 | 255 | 254 | 249 | 243 | 235 | 230 |
| PRU450/2R | 132 | 5,5 | 2940 | 71 | | | | | | | | | | | | | 308 | 304 | 299 | 294 | 287 | 279 | |
| PRU450/2 | 132 | 5,5 | 2940 | 67 | | | | | | | | | | | | | | 340 | 336 | 333 | 327 | 321 | |
| PRU450/2 | 132 | 7,5 | 2940 | 73 | | | | | | | | | | | | | | 340 | 336 | 333 | 327 | 321 | |
| PRU500/2R | 132 | 7,5 | 2940 | 68 | | | | | | | | | | | | | | | | | 386 | 382 | 378 |
| PRU500/2 | 132 | 9,2 | 2940 | 69 | | | | | | | | | | | | | | | | | | 418 | 416 |
| PRU500/2 | 160 | 11 | 2960 | 74 | | | | | | | | | | | | | | | | | | 426 | 423 |
| PRU560/2R | 160 | 15 | 2960 | 74 | | | | | | | | | | | | | | | | | | | |
| PRU560/2 | 160 | 15 | 2960 | 70 | | | | | | | | | | | | | | | | | | | |
| PRU560/2 | 160 | 18,5 | 2960 | 77 | | | | | | | | | | | | | | | | | | | |
| PRU630/2R | 180 | 22 | 2960 | 74 | | | | | | | | | | | | | | | | | | | |
| PRU630/2R | 200 | 30 | 2960 | 78 | | | | | | | | | | | | | | | | | | | |
| PRU630/2 | 200 | 30 | 2960 | 74 | | | | | | | | | | | | | | | | | | | |
| PRU630/2 | 200 | 37 | 2960 | 79 | | | | | | | | | | | | | | | | | | | |
| PRU710/2R | 225 | 45 | 2970 | 75 | | | | | | | | | | | | | | | | | | | |
| PRU710/2R | 250 | 55 | 2970 | 80 | | | | | | | | | | | | | | | | | | | |
| PRU710/2 | 250 | 55 | 2970 | 76 | | | | | | | | | | | | | | | | | | | |
| PRU710/2 | 280 | 75 | 2970 | 82 | | | | | | | | | | | | | | | | | | | |
| PRU800/2R | 280 | 90 | 2970 | 82 | | | | | | | | | | | | | | | | | | | |
| PRU800/2 | 315 | 110 | 2970 | 83 | | | | | | | | | | | | | | | | | | | |
| PRU500/4 | 90 | 1,1 | 1415 | 56 | | | | | | | | | | | | 97 | 96 | 94 | 92 | 88 | 84 | | |
| PRU560/4 | 100 | 2,2 | 1420 | 60 | | | | | | | | | | | | | | 121 | 119 | 118 | 117 | 114 | |
| PRU630/4 | 112 | 4 | 1440 | 63 | | | | | | | | | | | | | | | | | 154 | 153 | 152 |
| PRU710/4R | 132 | 5,5 | 1460 | 66 | | | | | | | | | | | | | | | | | | | |
| PRU710/4 | 132 | 7,5 | 1470 | 68 | | | | | | | | | | | | | | | | | | | |
| PRU800/4R | 160 | 11 | 1470 | 69 | | | | | | | | | | | | | | | | | | | |
| PRU800/4 | 160 | 15 | 1470 | 71 | | | | | | | | | | | | | | | | | | | |
| PRU900/4R | 180 | 18,5 | 1470 | 73 | | | | | | | | | | | | | | | | | | | |
| PRU900/4R | 180 | 22 | 1470 | 73 | | | | | | | | | | | | | | | | | | | |
| PRU900/4 | 200 | 30 | 1470 | 74 | | | | | | | | | | | | | | | | | | | |
| PRU1000/4R | 225 | 37 | 1470 | 75 | | | | | | | | | | | | | | | | | | | |
| PRU1000/4 | 225 | 45 | 1470 | 77 | | | | | | | | | | | | | | | | | | | |
| PRU1120/4R | 250 | 55 | 1475 | 76 | | | | | | | | | | | | | | | | | | | |
| PRU1120/4 | 280 | 75 | 1480 | 79 | | | | | | | | | | | | | | | | | | | |
| PRU1250/4R | 315 | 110 | 1485 | 80 | | | | | | | | | | | | | | | | | | | |
| PRU1250/4 | 315 | 132 | 1485 | 81 | | | | | | | | | | | | | | | | | | | |
| PRU1400/4R | 315 | 200 | 1490 | 82 | | | | | | | | | | | | | | | | | | | |
| PRU1400/4 | 315 | 250 | 1490 | 84 | | | | | | | | | | | | | | | | | | | |
| PRU800/6 | 132 | 4 | 950 | 63 | | | | | | | | | | | | | | | | | | | |
| PRU900/6 | 160 | 7,5 | 960 | 63 | | | | | | | | | | | | | | | | | | | |
| PRU1000/6R | 160 | 11 | 980 | 66 | | | | | | | | | | | | | | | | | | | |
| PRU1000/6 | 180 | 15 | 980 | 67 | | | | | | | | | | | | | | | | | | | |
| PRU1120/6R | 200 | 18,5 | 980 | 67 | | | | | | | | | | | | | | | | | | | |
| PRU1120/6 | 200 | 22 | 980 | 70 | | | | | | | | | | | | | | | | | | | |
| PRU1250/6R | 225 | 30 | 980 | 71 | | | | | | | | | | | | | | | | | | | |
| PRU1250/6 | 250 | 37 | 980 | 72 | | | | | | | | | | | | | | | | | | | |
| PRU1400/6R | 280 | 45 | 980 | 74 | | | | | | | | | | | | | | | | | | | |
| PRU1400/6 | 315 | 75 | 980 | 75 | | | | | | | | | | | | | | | | | | | |

Il livello di pressione sonora ponderato A, LpA (cap.14), corrisponde al valore rilevato, nelle condizioni di prova, nel punto di massima rumorosità.

| Tipo • Type • Type • Typ • Tipo | | P inst. [kW] | n | LpA [dB(A)] | Tolleranza sulla portata ±5% • Tolérance sur le débit ±5% • Load tolerance ±5% • Durchsatztoleranz ±5% • Tolerancia respecto caudal ±5% | | | | | | | | | | | | | | | | | | |
|---|---|--------------|------|-------------|---|-----|-----|-----|-----|-----|-----|------|------|------|------|------|------|------|------|------|------|------|------|
| Ventilatore • Ventilateur • Fan • Ventilator • Ventilador | Motore • Moteur • Motor • Motor • Motor | | | | Q [m³/h] | | | | | | | | | | | | | | | | | | |
| | | | | | 470 | 540 | 650 | 720 | 790 | 865 | 935 | 1080 | 1225 | 1370 | 1440 | 1620 | 1800 | 2160 | 2520 | 2880 | 3240 | 3600 | 3960 |
| | | | | | pt[mmH ₂ O] | | | | | | | | | | | | | | | | | | |
| PRU250/2 | 71 | 0,37 | 2800 | 56 | 90 | 89 | 87 | 85 | 83 | 81 | 79 | 73 | | | | | | | | | | | |
| PRU280/2 | 71 | 0,55 | 2800 | 59 | | 114 | 113 | 112 | 111 | 110 | 108 | 105 | 100 | 95 | 91 | | | | | | | | |
| PRU310/2 | 80 | 1,1 | 2845 | 60 | | | | | 152 | 152 | 151 | 151 | 149 | 148 | 147 | 145 | 142 | 135 | | | | | |
| PRU350/2 | 90 | 2,2 | 2920 | 64 | | | | | | | | 196 | 194 | 193 | 192 | 191 | 190 | 188 | 185 | 179 | | | |
| PRU400/2 | 100 | 3 | 2930 | 68 | | | | | | | | | | | | 251 | 249 | 248 | 248 | 247 | 242 | | |
| PRU400/2 | 112 | 4 | 2940 | 68 | | | | | | | | | | | | 251 | 249 | 248 | 248 | 247 | 242 | 236 | |
| PRU450/2R | 132 | 5,5 | 2940 | 71 | | | | | | | | | | | | | | 299 | 295 | 290 | 285 | 278 | |
| PRU450/2 | 132 | 5,5 | 2940 | 67 | | | | | | | | | | | | | | | | 329 | 325 | 322 | |
| PRU450/2 | 132 | 7,5 | 2940 | 73 | | | | | | | | | | | | | | | | 329 | 325 | 322 | |
| PRU500/2R | 132 | 7,5 | 2940 | 68 | | | | | | | | | | | | | | | | | 372 | 368 | |
| PRU500/2 | 132 | 9,2 | 2940 | 69 | | | | | | | | | | | | | | | | | | 401 | |
| PRU500/2 | 160 | 11 | 2960 | 74 | | | | | | | | | | | | | | | | | | 409 | |
| PRU560/2R | 160 | 15 | 2960 | 74 | | | | | | | | | | | | | | | | | | | |
| PRU560/2 | 160 | 15 | 2960 | 70 | | | | | | | | | | | | | | | | | | | |
| PRU560/2 | 160 | 18,5 | 2960 | 77 | | | | | | | | | | | | | | | | | | | |
| PRU630/2R | 180 | 22 | 2960 | 74 | | | | | | | | | | | | | | | | | | | |
| PRU630/2R | 200 | 30 | 2960 | 78 | | | | | | | | | | | | | | | | | | | |
| PRU630/2 | 200 | 30 | 2960 | 74 | | | | | | | | | | | | | | | | | | | |
| PRU630/2 | 200 | 37 | 2960 | 79 | | | | | | | | | | | | | | | | | | | |
| PRU710/2R | 225 | 45 | 2970 | 75 | | | | | | | | | | | | | | | | | | | |
| PRU710/2R | 250 | 55 | 2970 | 80 | | | | | | | | | | | | | | | | | | | |
| PRU710/2 | 250 | 55 | 2970 | 76 | | | | | | | | | | | | | | | | | | | |
| PRU710/2 | 280 | 75 | 2970 | 82 | | | | | | | | | | | | | | | | | | | |
| PRU800/2R | 280 | 90 | 2970 | 82 | | | | | | | | | | | | | | | | | | | |
| PRU800/2 | 315 | 110 | 2970 | 83 | | | | | | | | | | | | | | | | | | | |
| PRU500/4 | 90 | 1,1 | 1415 | 56 | | | | | | | | | | | 96 | 95 | 93 | 91 | 87 | 83 | | | |
| PRU560/4 | 100 | 2,2 | 1420 | 60 | | | | | | | | | | | | | | 119 | 117 | 116 | 115 | 112 | |
| PRU630/4 | 112 | 4 | 1440 | 63 | | | | | | | | | | | | | | | | 151 | 150 | 149 | |
| PRU710/4R | 132 | 5,5 | 1460 | 66 | | | | | | | | | | | | | | | | | | | |
| PRU710/4 | 132 | 7,5 | 1470 | 68 | | | | | | | | | | | | | | | | | | | |
| PRU800/4R | 160 | 11 | 1470 | 69 | | | | | | | | | | | | | | | | | | | |
| PRU800/4 | 160 | 15 | 1470 | 71 | | | | | | | | | | | | | | | | | | | |
| PRU900/4R | 180 | 18,5 | 1470 | 73 | | | | | | | | | | | | | | | | | | | |
| PRU900/4R | 180 | 22 | 1470 | 73 | | | | | | | | | | | | | | | | | | | |
| PRU900/4 | 200 | 30 | 1470 | 74 | | | | | | | | | | | | | | | | | | | |
| PRU1000/4R | 225 | 37 | 1470 | 75 | | | | | | | | | | | | | | | | | | | |
| PRU1000/4 | 225 | 45 | 1470 | 77 | | | | | | | | | | | | | | | | | | | |
| PRU1120/4R | 250 | 55 | 1475 | 76 | | | | | | | | | | | | | | | | | | | |
| PRU1120/4 | 280 | 75 | 1480 | 79 | | | | | | | | | | | | | | | | | | | |
| PRU1250/4R | 315 | 110 | 1485 | 80 | | | | | | | | | | | | | | | | | | | |
| PRU1250/4 | 315 | 132 | 1485 | 81 | | | | | | | | | | | | | | | | | | | |
| PRU1400/4R | 315 | 200 | 1490 | 82 | | | | | | | | | | | | | | | | | | | |
| PRU1400/4 | 315 | 250 | 1490 | 84 | | | | | | | | | | | | | | | | | | | |
| PRU800/6 | 132 | 4 | 950 | 63 | | | | | | | | | | | | | | | | | | | |
| PRU900/6 | 160 | 7,5 | 960 | 63 | | | | | | | | | | | | | | | | | | | |
| PRU1000/6R | 160 | 11 | 980 | 66 | | | | | | | | | | | | | | | | | | | |
| PRU1000/6 | 180 | 15 | 980 | 67 | | | | | | | | | | | | | | | | | | | |
| PRU1120/6R | 200 | 18,5 | 980 | 67 | | | | | | | | | | | | | | | | | | | |
| PRU1120/6 | 200 | 22 | 980 | 70 | | | | | | | | | | | | | | | | | | | |
| PRU1250/6R | 225 | 30 | 980 | 71 | | | | | | | | | | | | | | | | | | | |
| PRU1250/6 | 250 | 37 | 980 | 72 | | | | | | | | | | | | | | | | | | | |
| PRU1400/6R | 280 | 45 | 980 | 74 | | | | | | | | | | | | | | | | | | | |
| PRU1400/6 | 315 | 75 | 980 | 75 | | | | | | | | | | | | | | | | | | | |

Il livello di pressione sonora ponderato A, LpA (cap.14), corrisponde al valore rilevato, nelle condizioni di prova, nel punto di massima rumorosità.



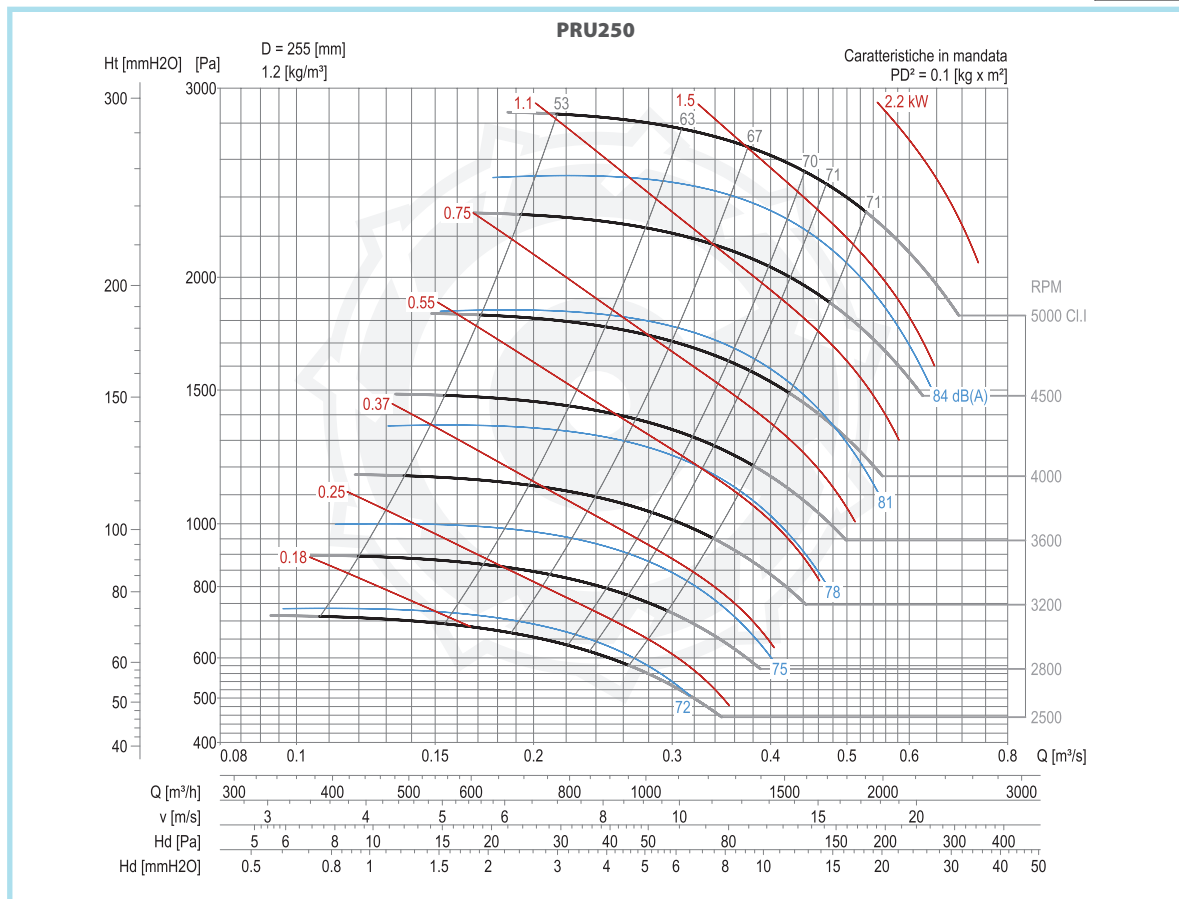
Il ventilatore è orientabile • Peso in tabella comprensivo di motore

- Le ventilateur est orientable
- The fan is revolvable
- Der Ventilator ist drehbar
- El ventilador es orientable
- Le poids dans le tableau inclut le moteur
- The weight indicated in the table includes motor
- Das Gewicht im Tafel schließt den Motor ein
- El peso en la tabla incluye el motor

Ulteriori informazioni e quote:
 ■ Ulérieures informations et cotes:
 ■ Further information and sizes:
 ■ Weitere Infos und Größen:
 ■ Más informaciones y medidas:

| TIPO • Type | | PESO Weight | PD ² | B | I | H | H1 | H2 | J | K | M | Q | R | Ø |
|-----------------|--------------|-------------|----------------------|-----|-----|-----|-----|-----|-----|-----|-----|----|----|----|
| VENTILATORE Fan | MOTORE Motor | Kg | Kgf x m ² | | | | | | | | | | | |
| PRU250/2 | 71 A2 | 28 | 0,10 | 396 | 121 | 315 | 195 | 315 | 203 | 225 | 195 | 48 | 26 | 10 |
| PRU250/T | | 30 | 0,10 | | | 315 | 195 | 315 | | | | | | |

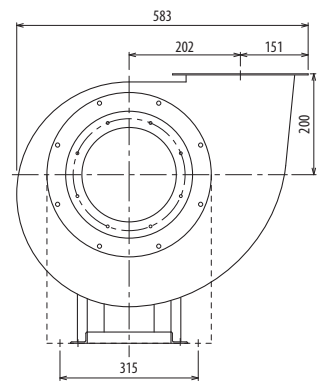
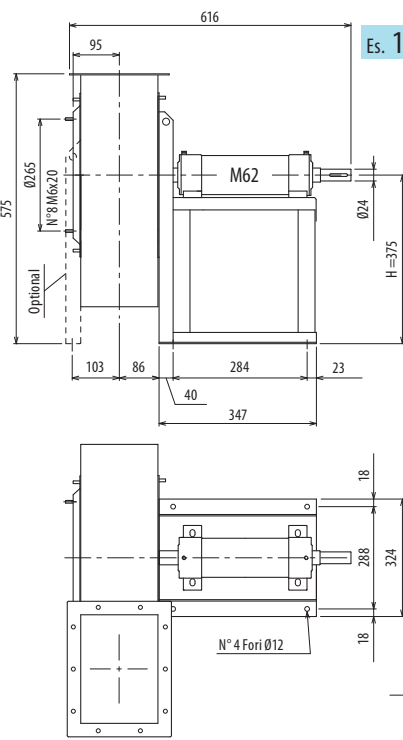
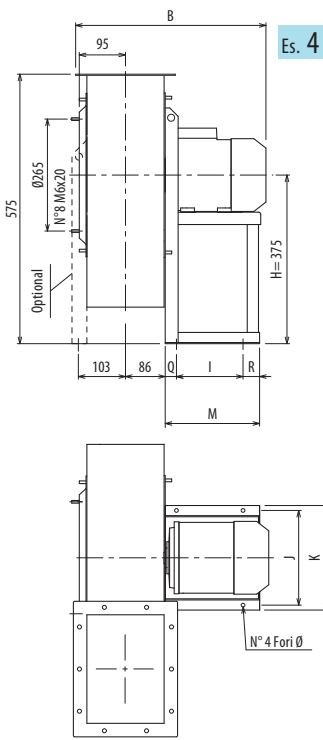
pg. / s. 4,6
 pg. / s. 4,5



DIMENSIONI D'INGOMBRO E PESI/CURVE DI FUNZIONAMENTO

PRU280

■ DIMENSIONS D'ENCOMBREMENT ET POIDS/COURBES DE FONCTIONNEMENT ■ OVERALL DIMENSIONS AND WEIGHT/WORKING CURVES
 ■ AUSMAßE UND GEWICHTE/FUNKTIONSKURVEN ■ DIMENSIONES QUE OCUPA Y PESOS/CURVAS DE FUNCIONAMIENTO



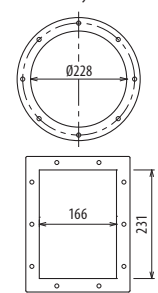
Il ventilatore è orientabile - Peso in tabella comprensivo di motore

■ Le ventilateur est orientable ■ The fan is revolvable ■ Der Ventilator ist drehbar ■ El ventilador es orientable
 Le poids dans le tableau inclut le moteur The weight indicated in the table includes motor Das Gewicht im Tafel schließt den Motor ein El peso en la tabla incluye el motor

Ulteriori informazioni e quote:
 ■ Ulérieures informations et cotes:
 ■ Further information and sizes:
 ■ Weitere Infos und Größen:
 ■ Más informaciones y medidas:

| TIPO • Type | | PESO Weight | PD ² | | | | | | | | | | | |
|-----------------|--------------|-------------|----------------------|-----|-----|-----|-----|-----|-----|-----|-----|----|----|----|
| VENTILATORE Fan | MOTORE Motor | Kg | Kgf x m ² | B | I | H | H1 | H2 | J | K | M | Q | R | Ø |
| PRU280/2 | 71 B2 | 30 | 0,13 | 414 | 121 | 375 | 200 | 375 | 203 | 225 | 195 | 48 | 26 | 10 |
| PRU280/T | | 37 | 0,13 | | | 375 | 200 | 375 | | | | | | |

pg. / s. 4,6
 pg. / s. 4,5



RD0 LG0

RD45 LG45

RD90 LG90

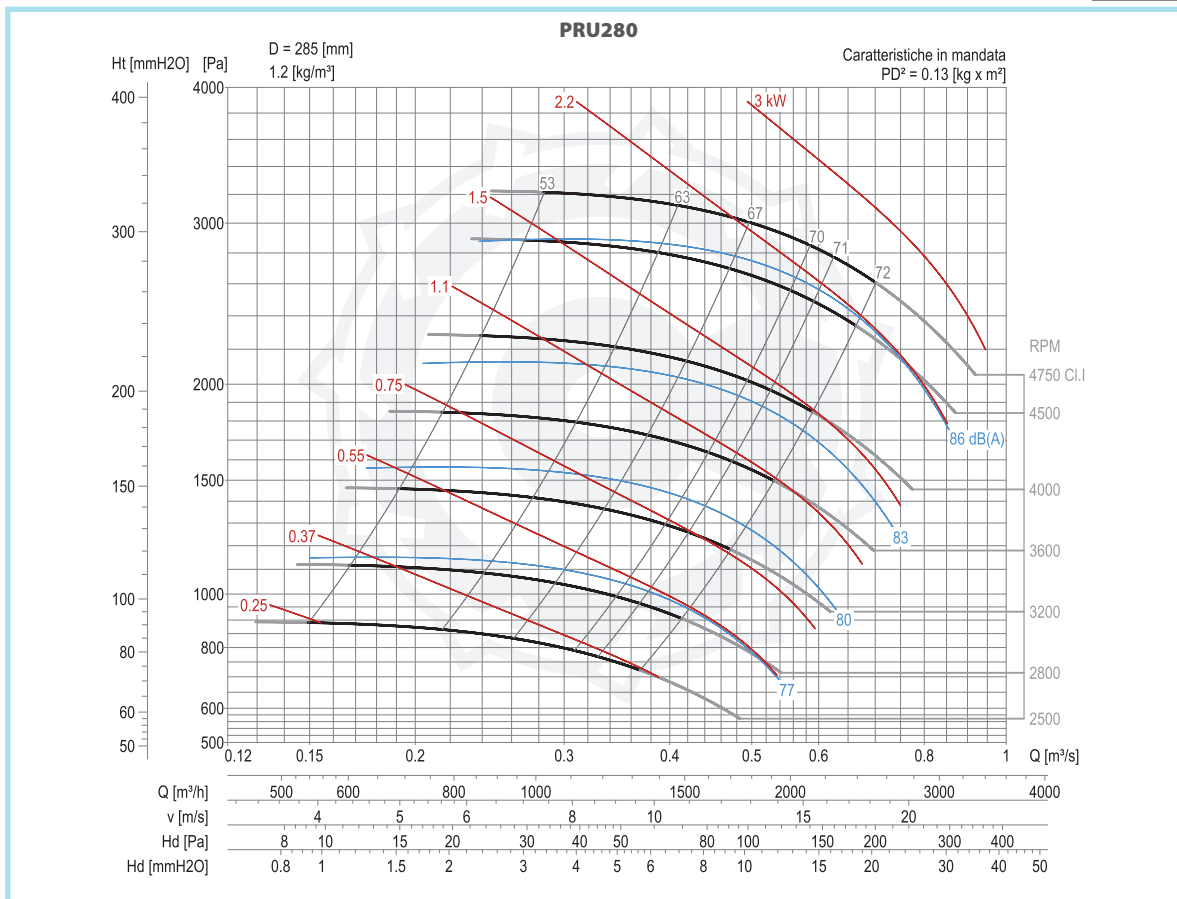
RD135 LG135

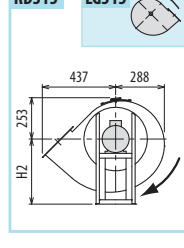
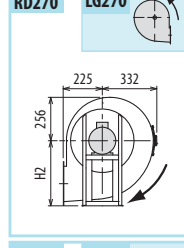
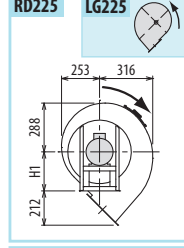
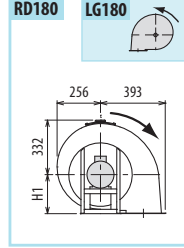
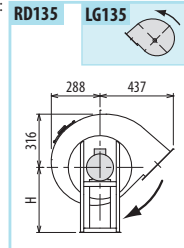
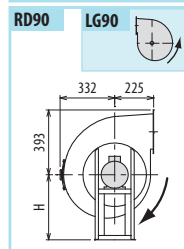
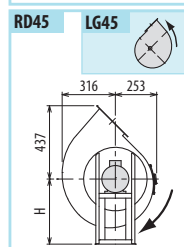
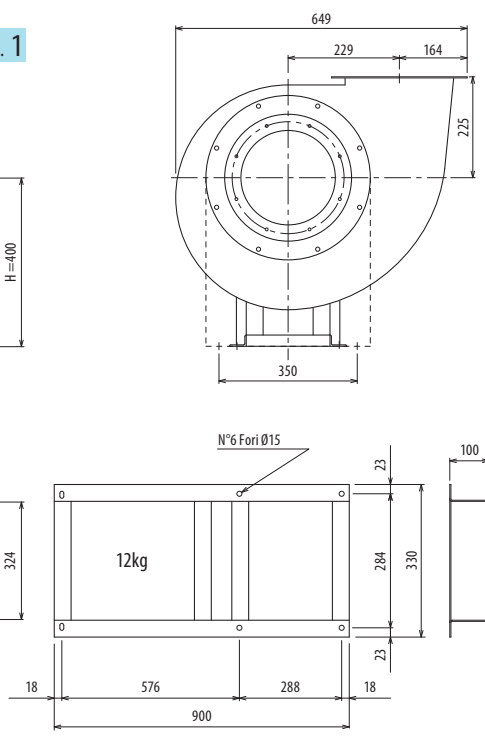
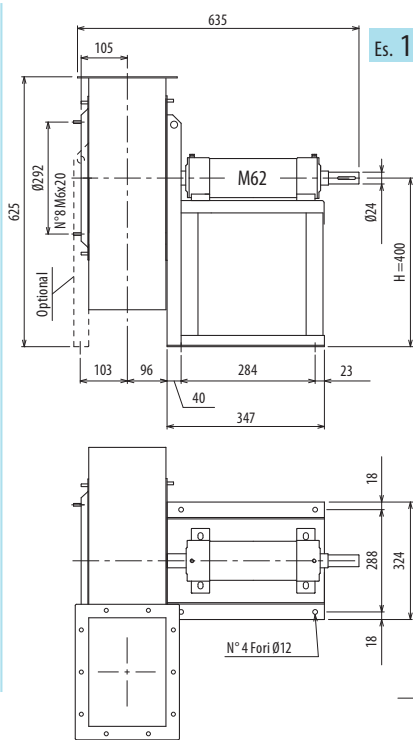
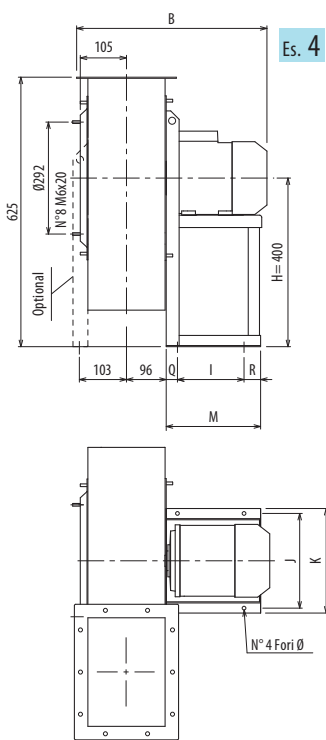
RD180 LG180

RD225 LG225

RD270 LG270

RD315 LG315





Il ventilatore è orientabile • Peso in tabella comprensivo di motore

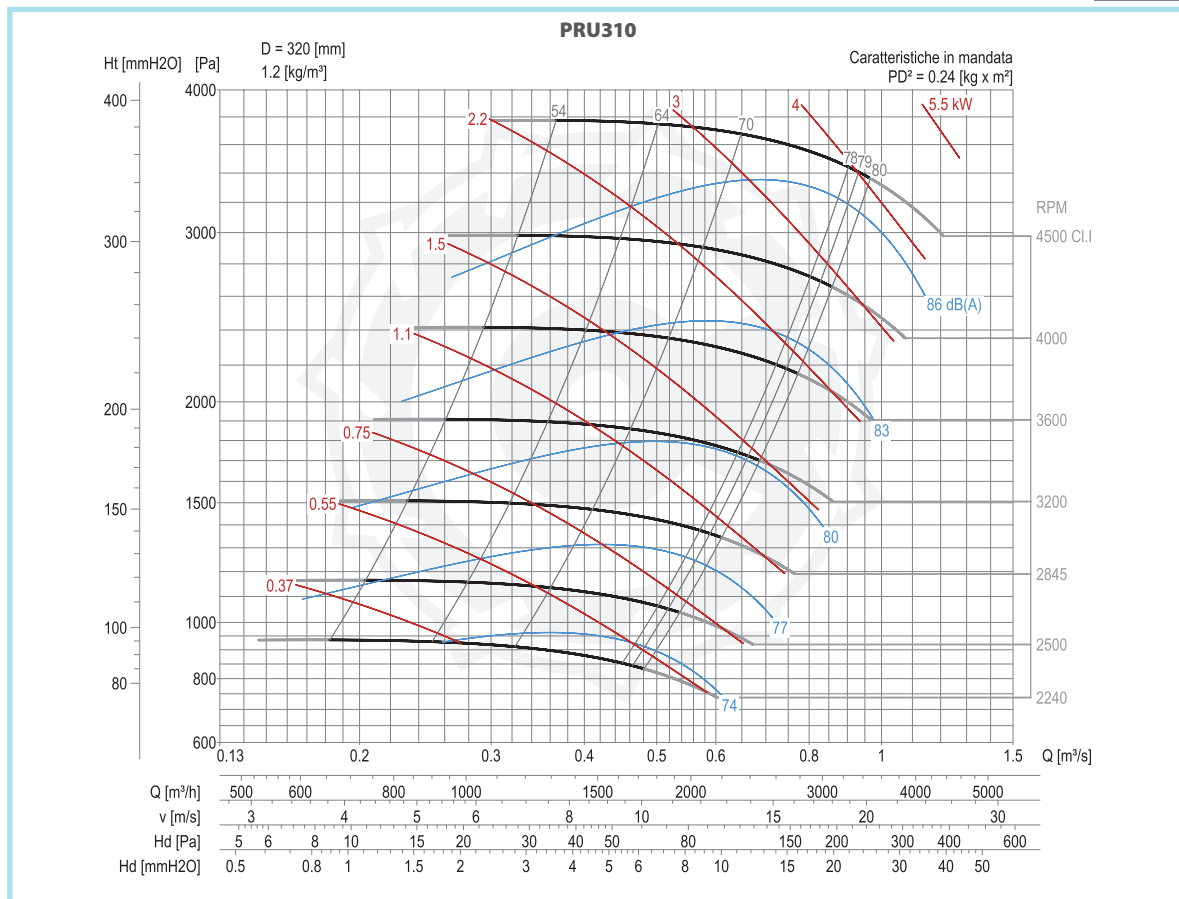
- Le ventilateur est orientable
 - The fan is revolvable
 - Der Ventilator ist drehbar
 - El ventilador es orientable
- Le poids dans le tableau inclut le moteur The weight indicated in the table includes motor Das Gewicht im Tafel schließt den Motor ein El peso en la tabla incluye el motor

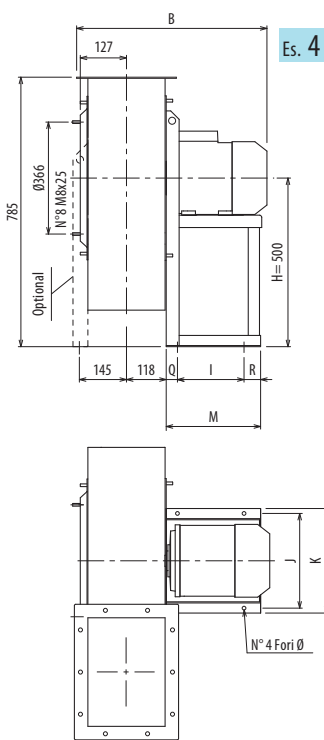
Ulteriori informazioni e quote:
 ■ Ulérieures informations et cotes:
 ■ Further information and sizes:
 ■ Weitere Infos und Größen:
 ■ Más informaciones y medidas:

| TIPO • Type | | PESO Weight | PD ² | B | I | H | H1 | H2 | J | K | M | Q | R | Ø |
|-----------------|--------------|-------------|----------------------|-----|-----|-----|-----|-----|-----|-----|-----|----|----|----|
| VENTILATORE Fan | MOTORE Motor | Kg | Kgf x m ² | | | | | | | | | | | |
| PRU310/2 | 80 B2 | 42 | 0,24 | 458 | 121 | 400 | 225 | 400 | 203 | 225 | 217 | 48 | 48 | 10 |
| PRU310/T | | 55 | 0,24 | | | 400 | 225 | 400 | | | | | | |

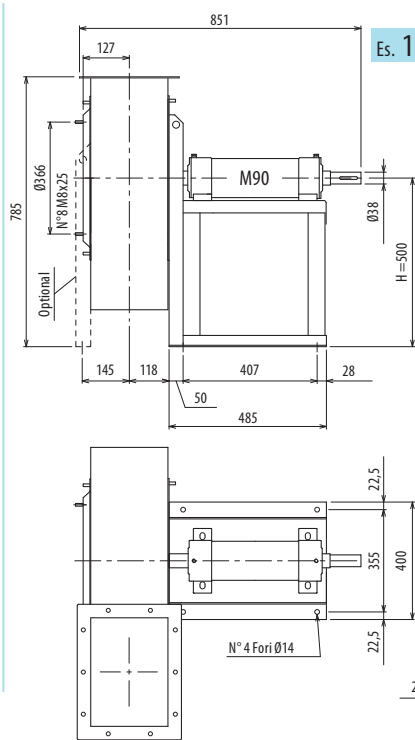
pg. / s. 4,6

pg. / s. 4,5

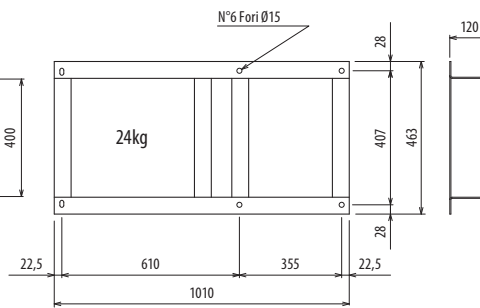
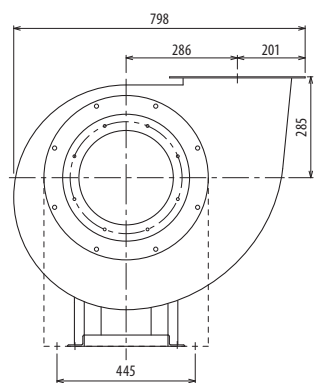




Es. 4



Es. 1



Il ventilatore è orientabile - Peso in tabella comprensivo di motore

■ Le ventilateur est orientable

■ The fan is revolvable

■ Der Ventilator ist drehbar

■ El ventilador es orientable

Le poids dans le tableau inclut le moteur

The weight indicated in the table includes motor

Das Gewicht im Tafel schließt den Motor ein

El peso en la tabla incluye el motor

Ulteriori informazioni e quote:

■ Ulérieures informations et cotes:

■ Further information and sizes:

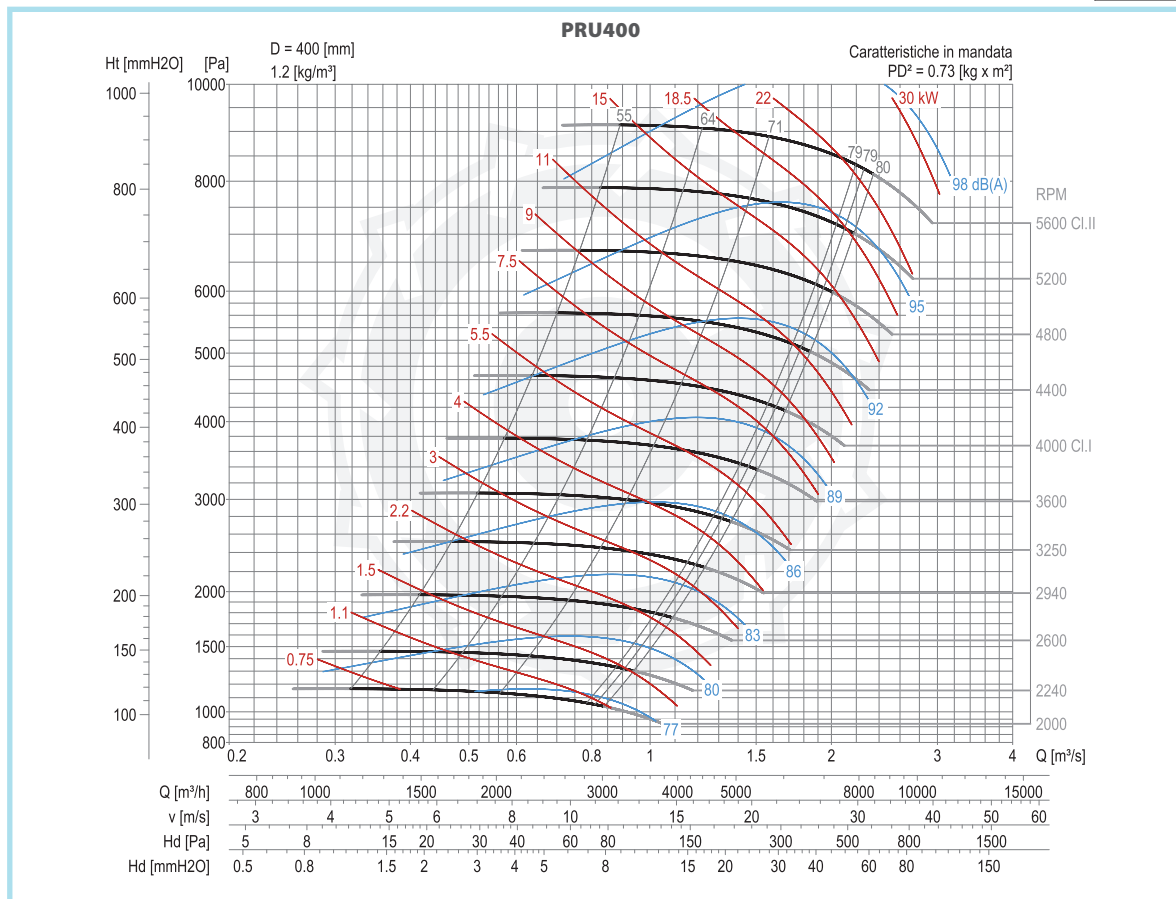
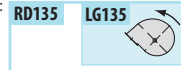
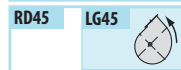
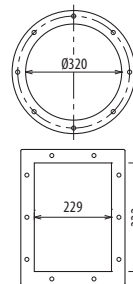
■ Weitere Infos und Größen:

■ Más informaciones y medidas:

| TIPO • Type | | PESO Weight | PD ² | B | I | H | H1 | H2 | J | K | M | Q | R | Ø |
|-----------------|--------------|-------------|----------------------|-----|-----|-----|-----|-----|-----|-----|-----|----|----|----|
| VENTILATORE Fan | MOTORE Motor | Kg | Kgf x m ² | | | | | | | | | | | |
| PRU400/2 | 100 L2 | 82 | 0,73 | 580 | 197 | 500 | 285 | 500 | 289 | 324 | 283 | 34 | 52 | 12 |
| PRU400/2 | 112 M2 | 90 | 0,73 | 606 | 197 | 500 | 285 | 500 | 289 | 324 | 286 | 35 | 54 | 12 |
| PRU400/T | | 82 | 0,73 | | | 500 | 285 | 500 | | | | | | |

pg. / s. 4,6

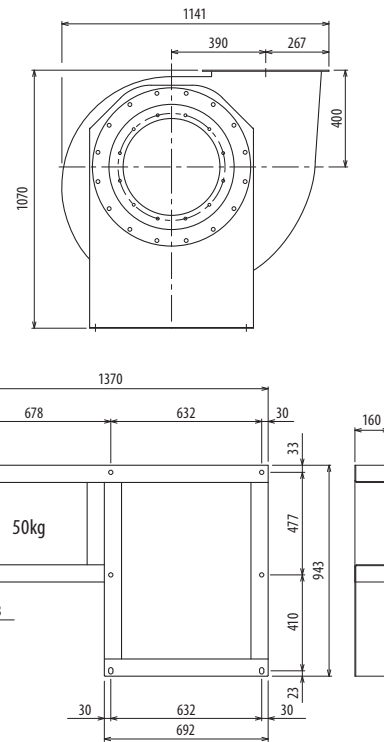
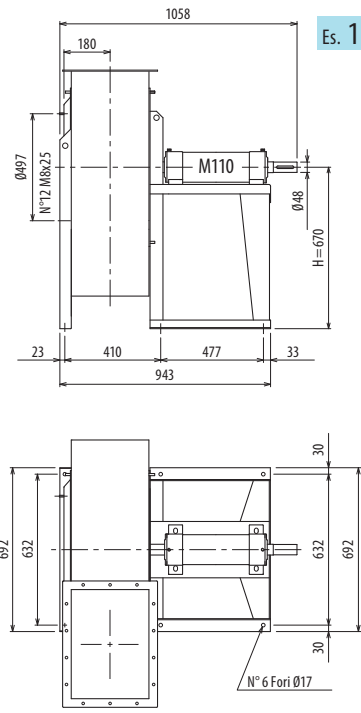
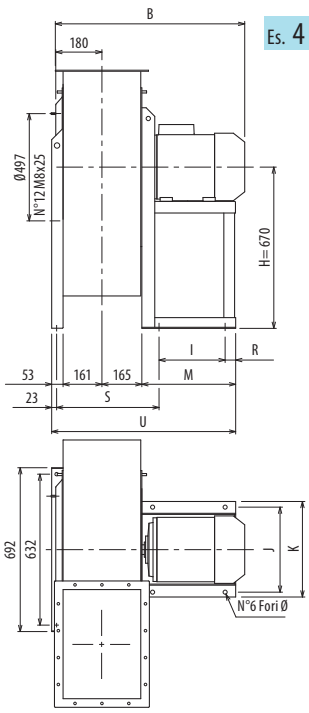
pg. / s. 4,5



DIMENSIONI D'INGOMBRO E PESI/CURVE DI FUNZIONAMENTO

PRU560

■ DIMENSIONS D'ENCOMBREMENT ET POIDS/COURBES DE FONCTIONNEMENT ■ OVERALL DIMENSIONS AND WEIGHT/WORKING CURVES
 ■ AUSMAßE UND GEWICHTE/FUNKTIONSKURVEN ■ DIMENSIONES QUE OCUPA Y PESOS/CURVAS DE FUNCIONAMIENTO



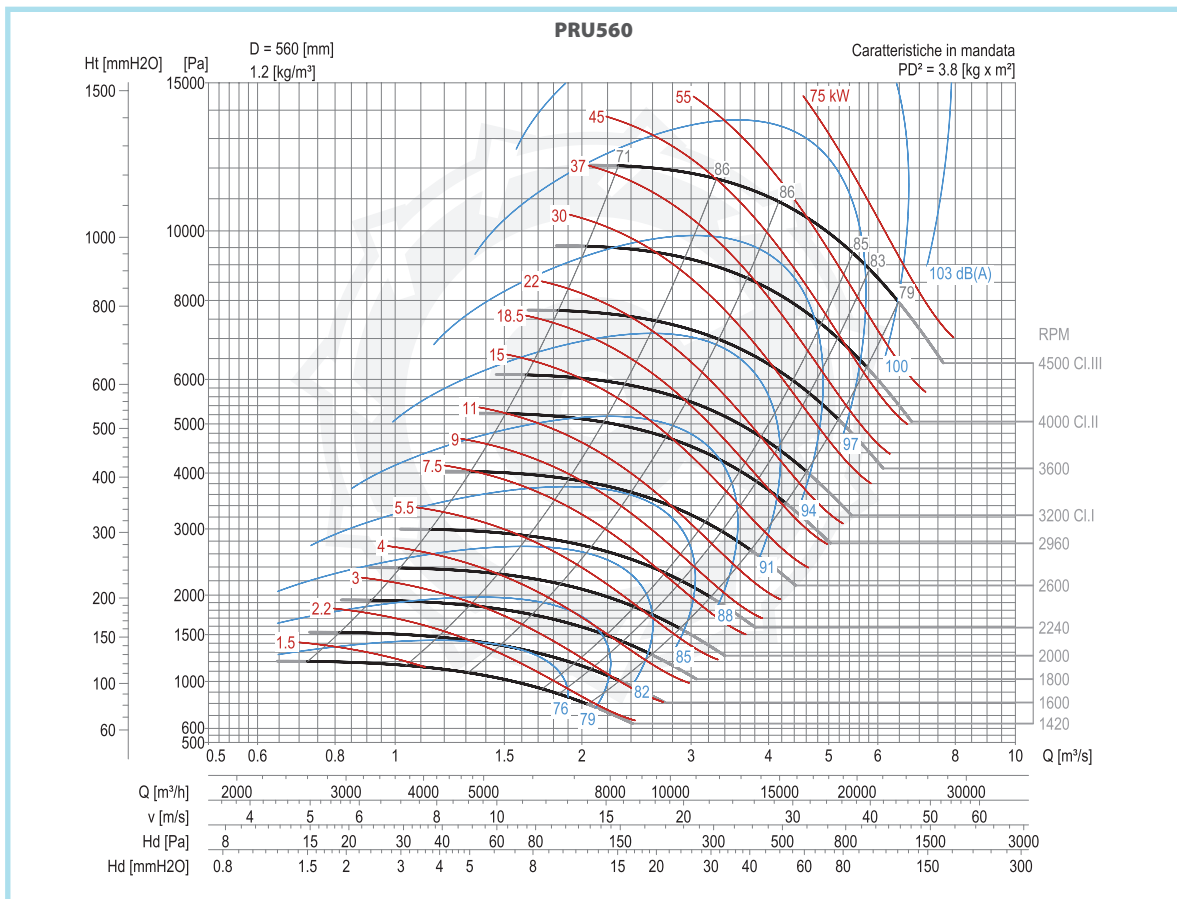
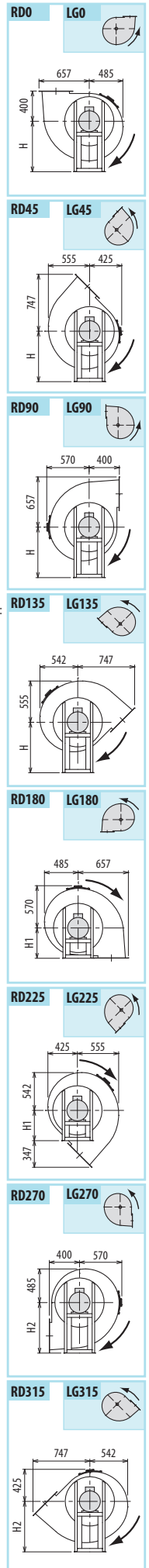
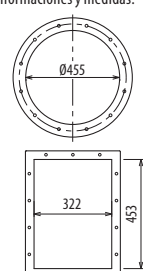
Il ventilatore è orientabile - Peso in tabella comprensivo di motore

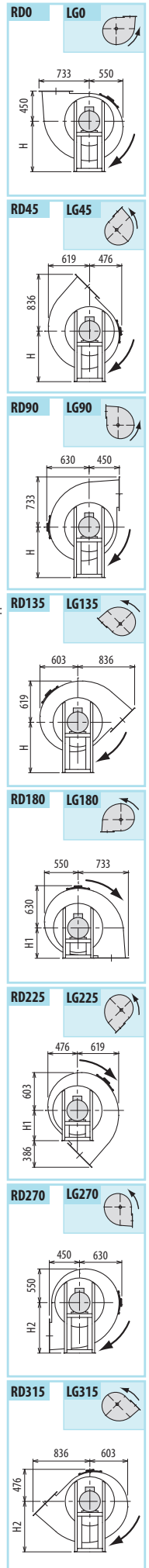
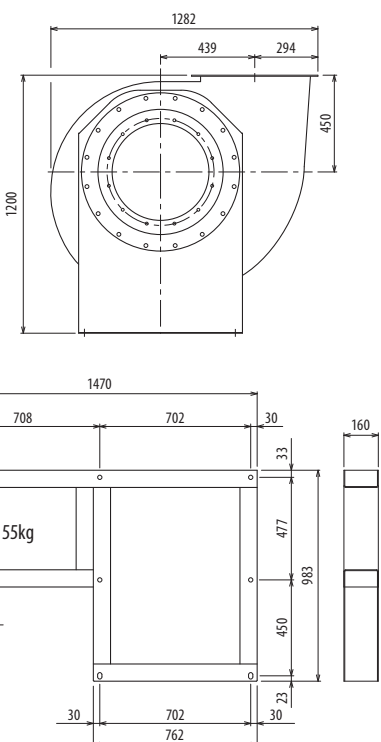
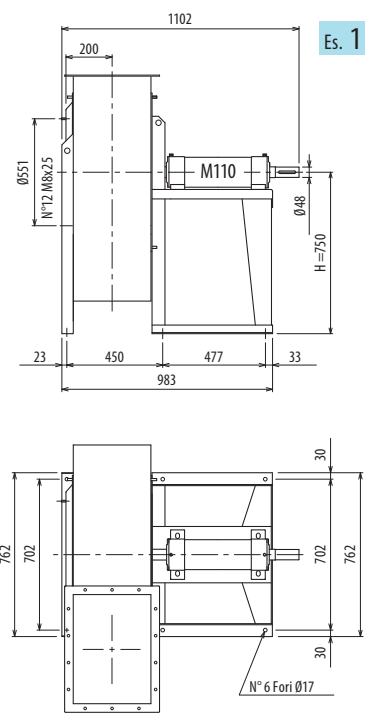
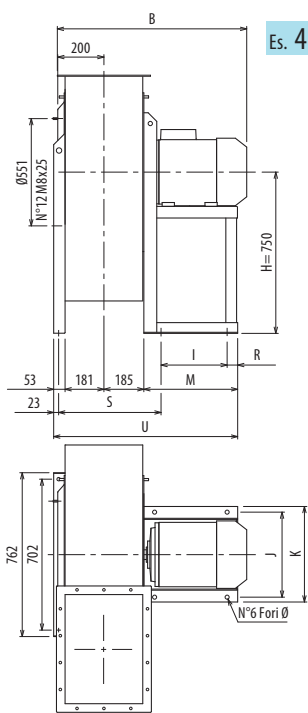
■ Le ventilateur est orientable ■ The fan is revolvable ■ Der Ventilator ist drehbar ■ El ventilador es orientable
 Le poids dans le tableau inclut le moteur The weight indicated in the table includes motor Das Gewicht im Tafel schließt den Motor ein El peso en la tabla incluye el motor

Ulteriori informazioni e quote:
 ■ Ulérieures informations et cotes:
 ■ Further information and sizes:
 ■ Weitere Infos und Größen:
 ■ Más informaciones y medidas:

| TIPO • Type | | PESO Weight | PD ² | B | I | H | H1 | H2 | J | K | M | R | S | U | Ø |
|-----------------|--------------|-------------|----------------------|-----|-----|-----|-----|-----|-----|-----|-----|----|-----|-----|----|
| VENTILATORE Fan | MOTORE Motor | Kg | Kgf x m ² | | | | | | | | | | | | |
| PRU560/2R | 160 MB2 | 217 | 3,4 | 857 | 337 | 670 | 400 | 670 | 395 | 440 | 446 | 54 | 406 | 820 | 14 |
| PRU560/2 | 160 MB2 | 218 | 3,8 | 857 | 337 | 670 | 400 | 670 | 395 | 440 | 446 | 54 | 406 | 820 | 14 |
| PRU560/2 | 160 L2 | 228 | 3,8 | 857 | 337 | 670 | 400 | 670 | 395 | 440 | 446 | 54 | 406 | 820 | 14 |
| PRU560/4 | 100 L4 | 143 | 3,2 | 691 | 197 | 670 | 400 | 670 | 289 | 324 | 281 | 54 | 386 | 660 | 12 |
| PRU560/T | | 182 | 3,8 | | | 670 | 400 | 670 | | | | | | | |

pg. / S. 4,6
 pg. / S. 4,5





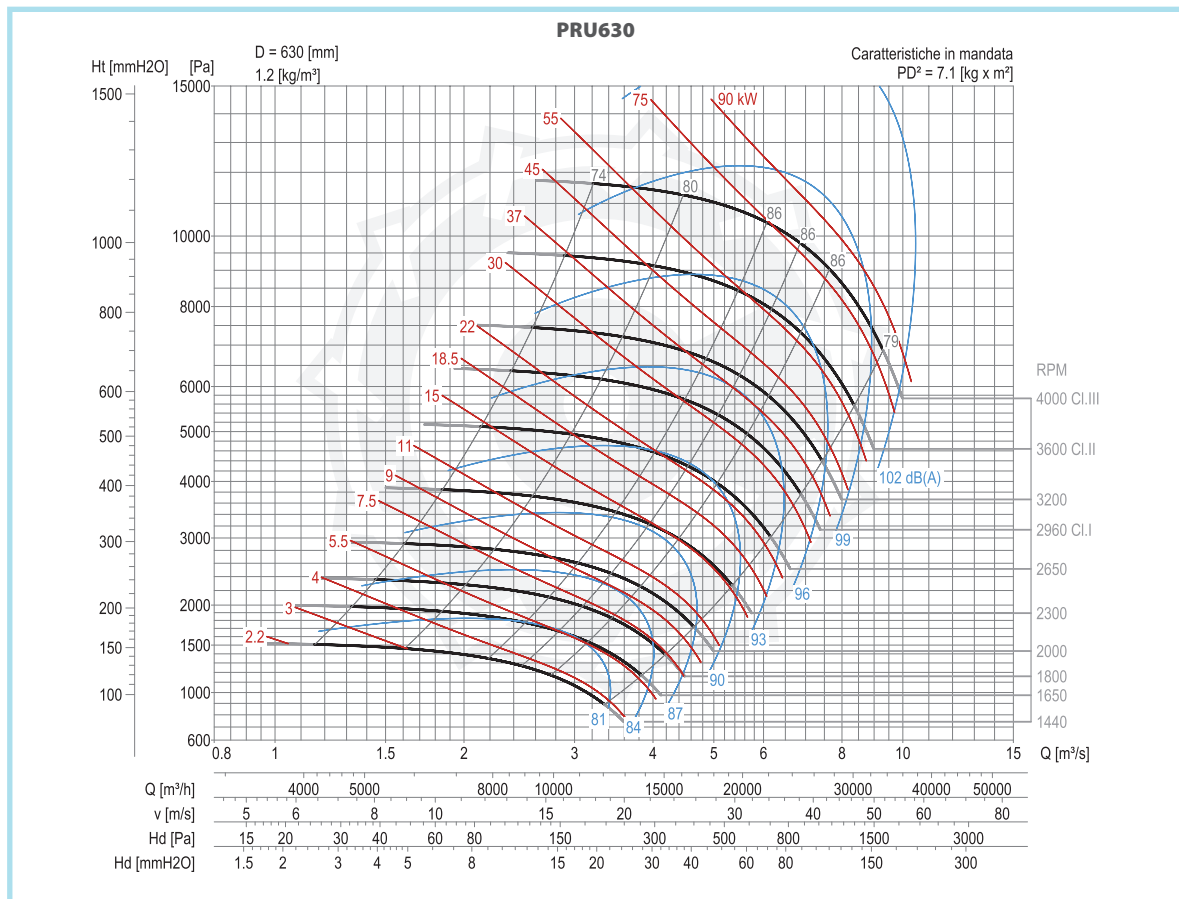
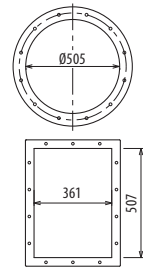
Il ventilatore è orientabile - Peso in tabella comprensivo di motore

- Le ventilateur est orientable
 - The fan is revolvable
 - Der Ventilator ist drehbar
 - El ventilador es orientable
- Le poids dans le tableau inclut le moteur The weight indicated in the table includes motor Das Gewicht im Tafel schließt den Motor ein El peso en la tabla incluye el motor

Ulteriori informazioni e quote:
 ■ Ulteriori informazioni e cotes:
 ■ Further information and sizes:
 ■ Weitere Infos und Größen:
 ■ Más informaciones y medidas:

| TIPO - Type | | PESO Weight | PD ² | B | I | H | H1 | H2 | J | K | M | R | S | U | Ø |
|-----------------|--------------|-------------|----------------------|------|-----|-----|-----|-----|-----|-----|-----|----|-----|-----|----|
| VENTILATORE Fan | MOTORE Motor | Kg | Kgf x m ² | | | | | | | | | | | | |
| PRU630/2R | 180 M2 | 375 | 5,5 | 1021 | 357 | 750 | 450 | 750 | 434 | 488 | 465 | 38 | 466 | 884 | 18 |
| PRU630/2R | 200 LA2 | 438 | 5,5 | 1086 | 381 | 750 | 450 | 750 | 506 | 568 | 509 | 48 | 475 | 927 | 20 |
| PRU630/2 | 200 LA2 | 443 | 7,1 | 1086 | 381 | 750 | 450 | 750 | 506 | 568 | 509 | 48 | 475 | 927 | 20 |
| PRU630/2 | 200 LB2 | 443 | 7,1 | 1086 | 381 | 750 | 450 | 750 | 506 | 568 | 509 | 48 | 475 | 927 | 20 |
| PRU630/4 | 112 M4 | 190 | 6,6 | 752 | 197 | 750 | 450 | 750 | 289 | 324 | 285 | 54 | 425 | 699 | 12 |
| PRU630/T | | 218 | 7,1 | | | 750 | 450 | 750 | | | | | | | |

pg. / s. 4,6
 pg. / s. 4,5

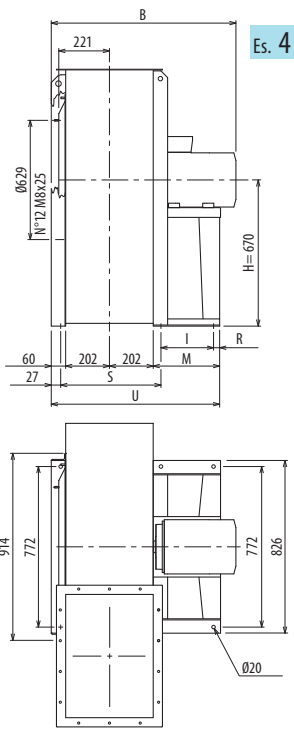


DIMENSIONI D'INGOMBRO E PESI/CURVE DI FUNZIONAMENTO

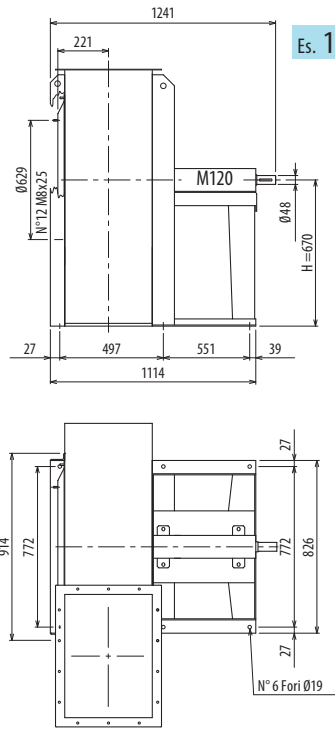
PRU710

■ DIMENSIONS D'ENCOMBREMENT ET POIDS/COURBES DE FONCTIONNEMENT ■ OVERALL DIMENSIONS AND WEIGHT/WORKING CURVES
 ■ AUSMAßE UND GEWICHTE/FUNKTIONSKURVEN ■ DIMENSIONES QUE OCUPA Y PESOS/CURVAS DE FUNCIONAMIENTO

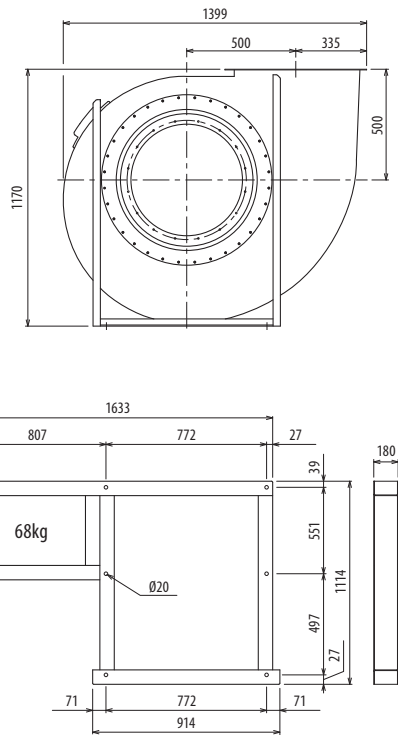
PRU



Es. 4



Es. 1



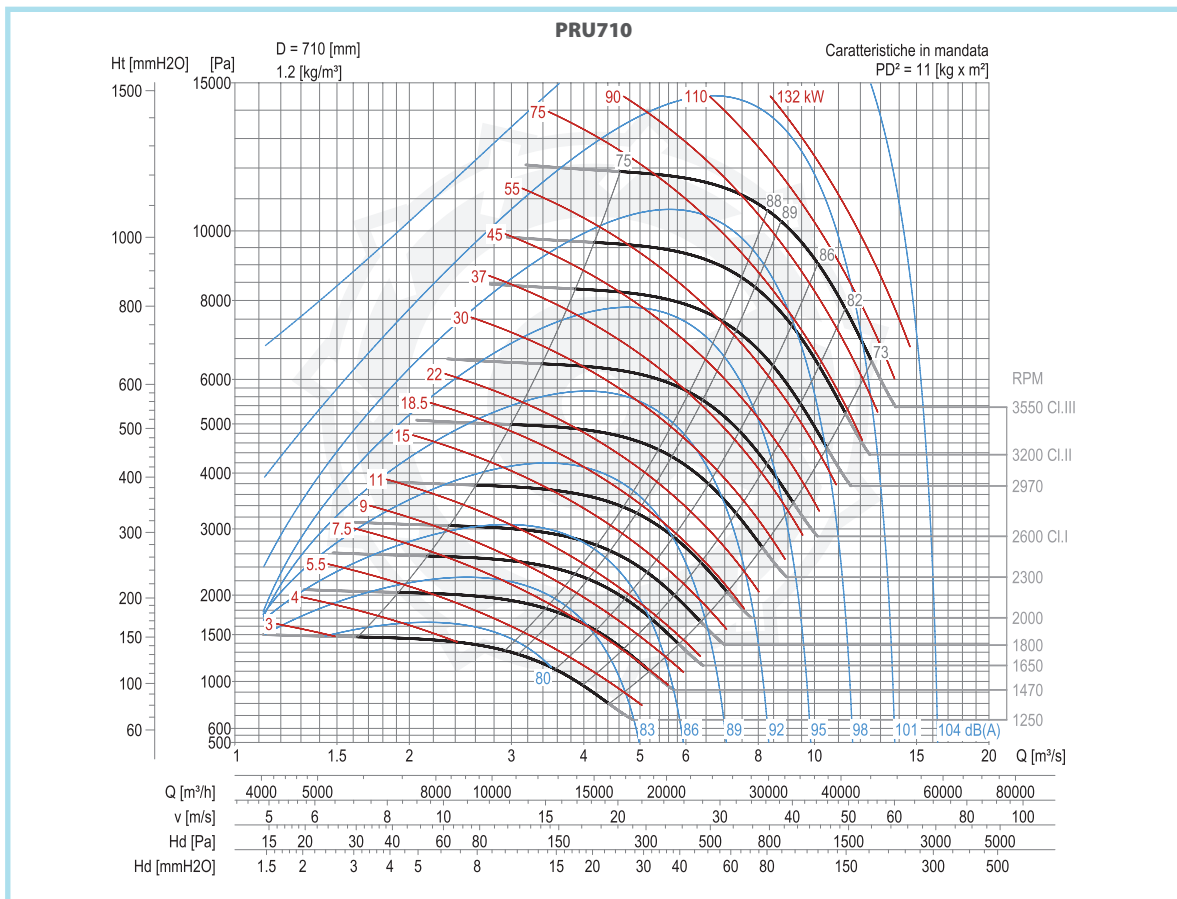
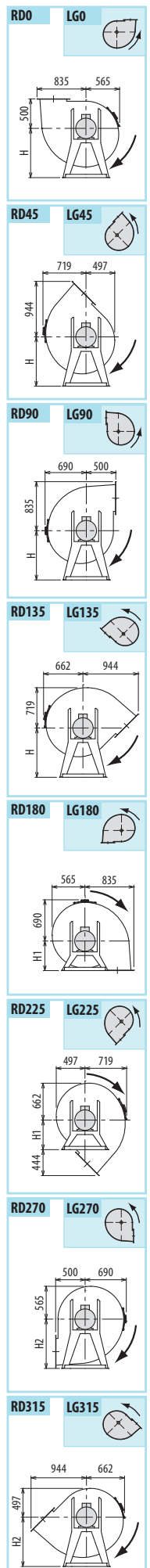
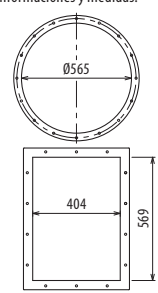
Il ventilatore non è orientabile • Peso in tabella comprensivo di motore

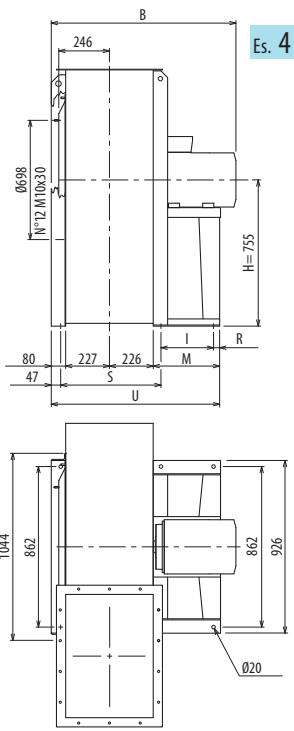
■ Le ventilateur n'est pas orientable ■ The fan is not revolvable ■ Der Ventilator ist nicht drehbar ■ El ventilador no es orientable
 Le poids dans le tableau inclut le moteur The weight indicated in the table includes motor Das Gewicht im Tafel schließt den Motor ein El peso en la tabla incluye el motor

Ulteriori informazioni e quote:
 ■ Ulérieures informations et cotes:
 ■ Further information and sizes:
 ■ Weitere Infos und Größen:
 ■ Más informaciones y medidas:

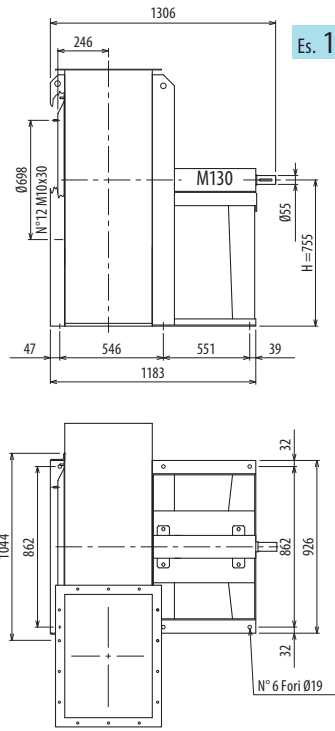
| TIPO • Type | | PESO Weight | PD ² | B | I | H | H1 | H2 | R | S | M | U |
|-----------------|--------------|-------------|----------------------|------|-----|-----|-----|-----|----|-----|-----|------|
| VENTILATORE Fan | MOTORE Motor | Kg | Kgf x m ² | | | | | | | | | |
| PRU710/2R | 225 M2 | 540 | 10 | 1173 | 441 | 670 | 500 | 850 | 39 | 497 | 540 | 1004 |
| PRU710/2R | 250 M2 | 625 | 10 | 1281 | 501 | 670 | 500 | 850 | 39 | 497 | 600 | 1064 |
| PRU710/2 | 250 M2 | 626 | 11 | 1281 | 501 | 670 | 500 | 850 | 39 | 497 | 600 | 1064 |
| PRU710/2 | 280 S2 | 760 | 11 | 1284 | 591 | 670 | 500 | 850 | 39 | 497 | 690 | 1154 |
| PRU710/4R | 132 S4 | 275 | 10 | 837 | 201 | 670 | 500 | 850 | 75 | 497 | 336 | 800 |
| PRU710/4 | 132 M4 | 288 | 11 | 837 | 201 | 670 | 500 | 850 | 75 | 497 | 336 | 800 |
| PRU710/T | | 325 | 11 | | | 670 | 500 | 850 | | | | |

pg. / s. 4,6
 pg. / s. 4,5

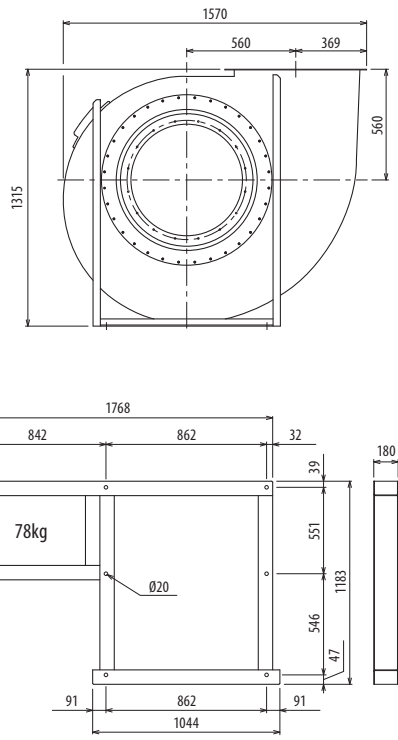




Es. 4



Es. 1

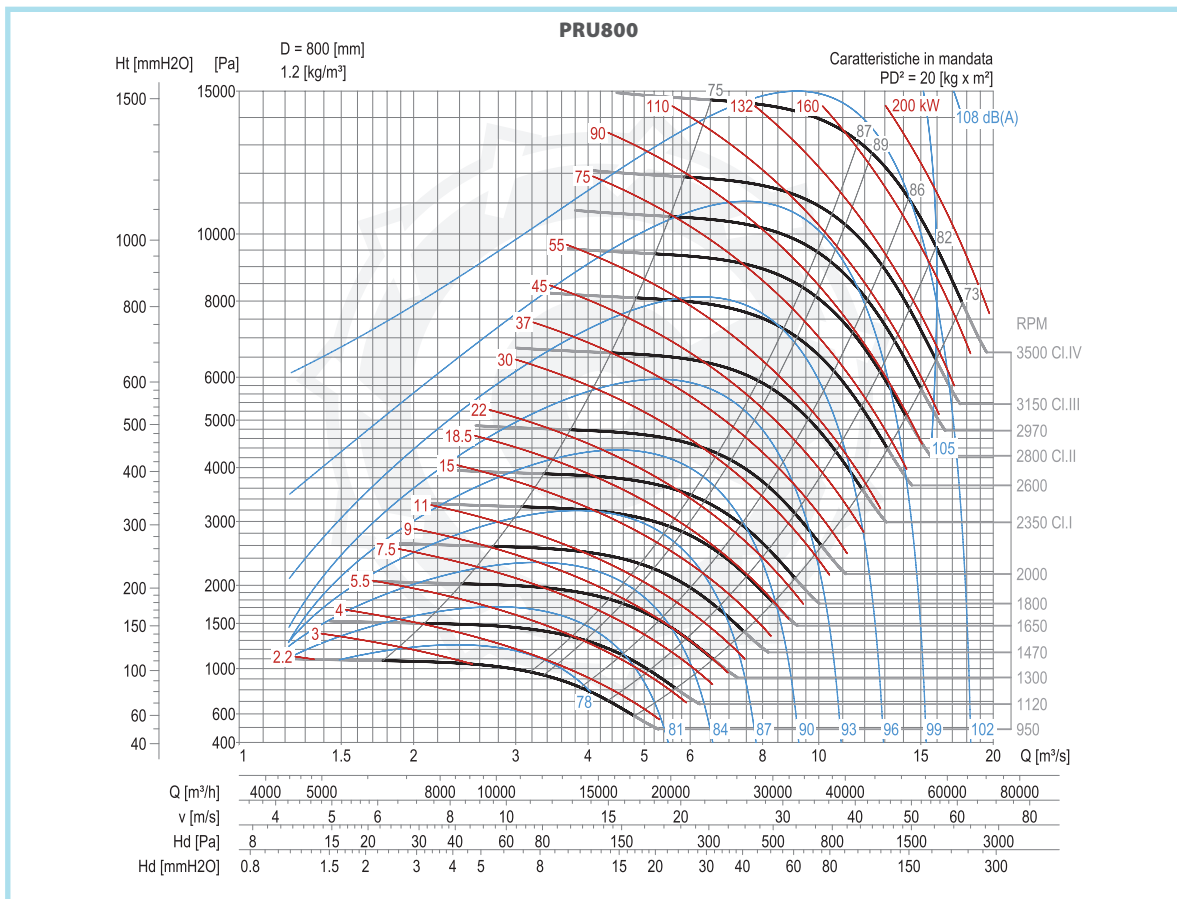
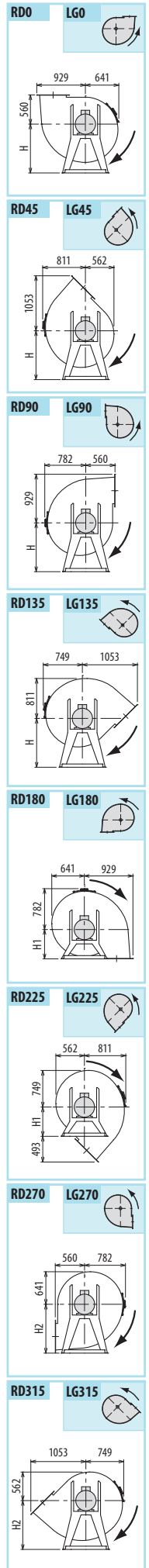
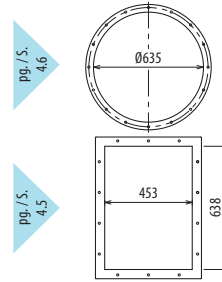


Il ventilatore non è orientabile • Peso in tabella comprensivo di motore

- Le ventilateur n'est pas orientable
 - The fan is not revolvable
 - Der Ventilator ist nicht drehbar
 - El ventilador no es orientable
- Le poids dans le tableau inclut le moteur The weight indicated in the table includes motor Das Gewicht im Tafel schließt den Motor ein El peso en la tabla incluye el motor

Ulteriori informazioni e quote:
 ■ Ulérieures informations et cotes:
 ■ Further information and sizes:
 ■ Weitere Infos und Größen:
 ■ Más informaciones y medidas:

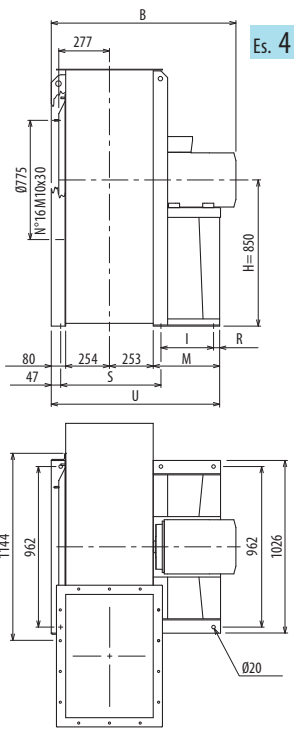
| TIPO • Type | | PESO Weight | PD ² | | | | | | | | | | | |
|-----------------|--------------|-------------|----------------------|------|-----|-----|-----|-----|----|-----|-----|------|--|--|
| VENTILATORE Fan | MOTORE Motor | Kg | Kgf x m ² | B | I | H | H1 | H2 | R | S | M | U | | |
| PRU800/2R | 280 M2 | 904 | 18 | 1353 | 591 | 755 | 560 | 950 | 39 | 546 | 690 | 1223 | | |
| PRU800/2 | 315 S2 | 1046 | 20 | 1565 | 675 | 755 | 560 | 950 | 65 | 546 | 800 | 1333 | | |
| PRU800/4R | 160 M4 | 418 | 18 | 1011 | 315 | 755 | 560 | 950 | 60 | 546 | 436 | 968 | | |
| PRU800/4 | 160 L4 | 432 | 20 | 1011 | 315 | 755 | 560 | 950 | 60 | 546 | 436 | 968 | | |
| PRU800/6 | 132 M6 | 390 | 19 | 906 | 201 | 755 | 560 | 950 | 75 | 546 | 336 | 869 | | |
| PRU800/T | | 400 | 20 | | | 755 | 560 | 950 | | | | | | |



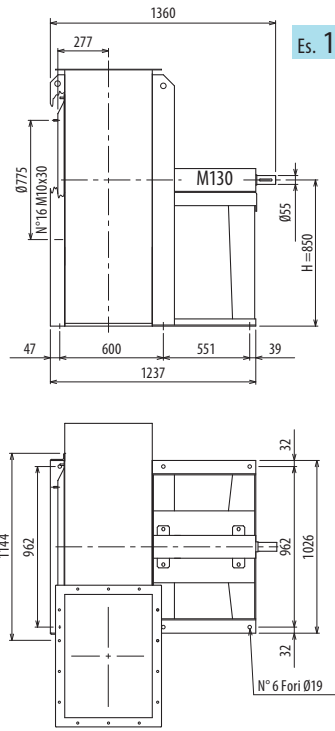
DIMENSIONI D'INGOMBRO E PESI/CURVE DI FUNZIONAMENTO

PRU900

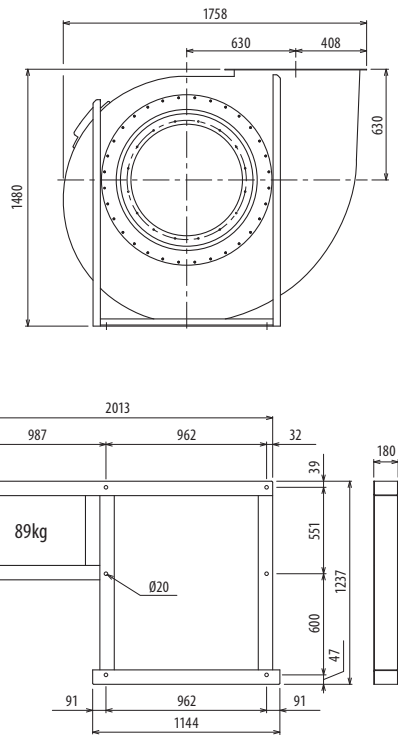
■ DIMENSIONS D'ENCOMBREMENT ET POIDS/COURBES DE FONCTIONNEMENT ■ OVERALL DIMENSIONS AND WEIGHT/WORKING CURVES
 ■ AUSMAßE UND GEWICHTE/FUNKTIONSKURVEN ■ DIMENSIONES QUE OCUPA Y PESOS/CURVAS DE FUNCIONAMIENTO



Es. 4



Es. 1



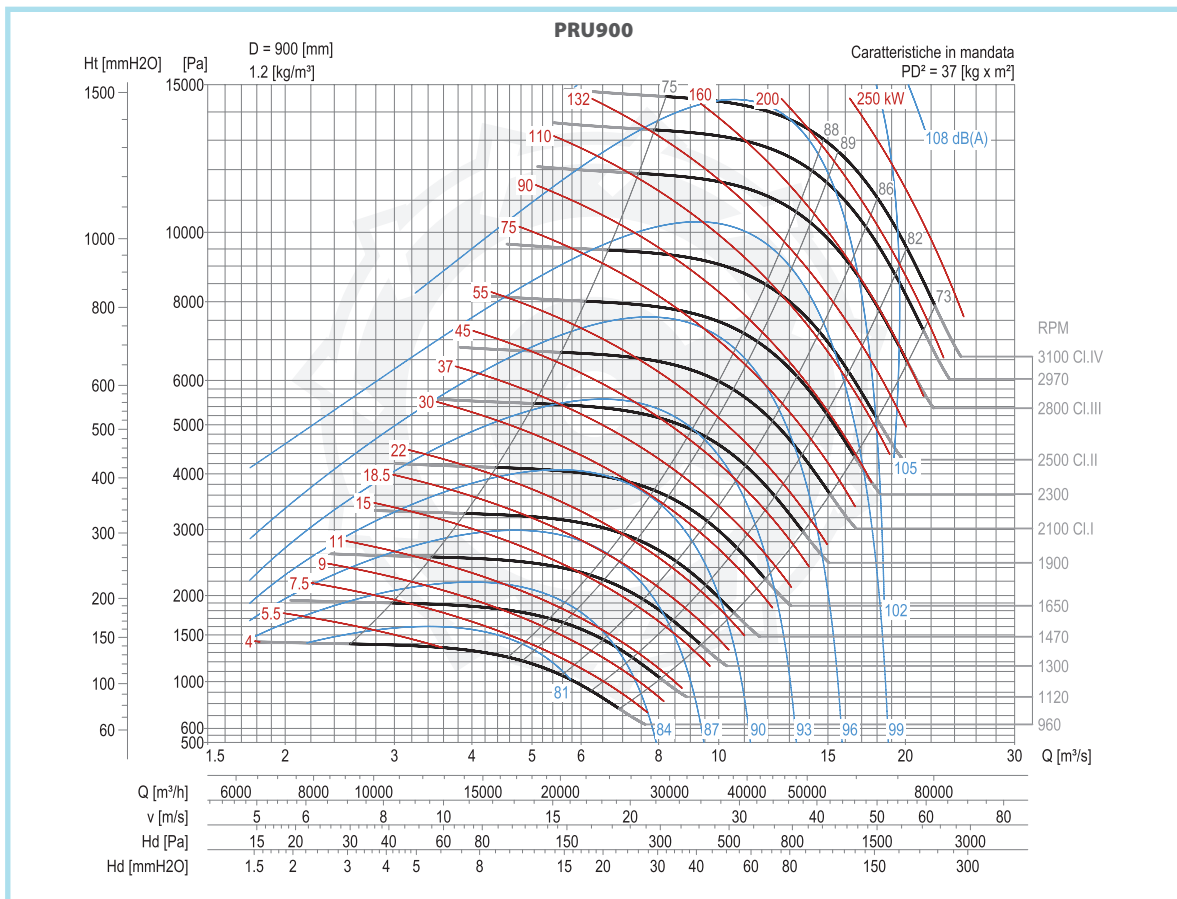
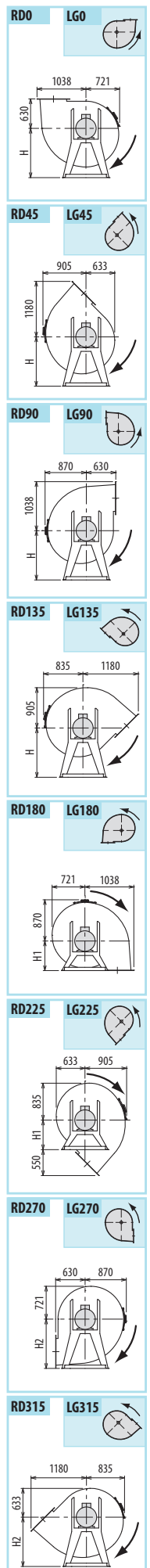
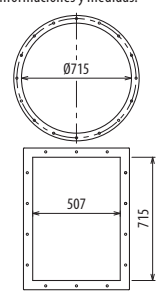
Il ventilatore non è orientabile • Peso in tabella comprensivo di motore

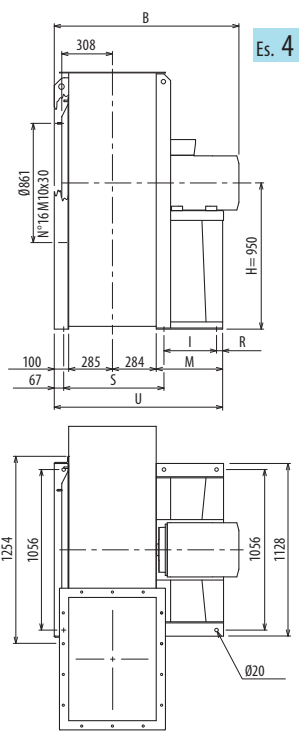
■ Le ventilateur n'est pas orientable ■ The fan is not revolvable ■ Der Ventilator ist nicht drehbar ■ El ventilador no es orientable
 Le poids dans le tableau inclut le moteur The weight indicated in the table includes motor Das Gewicht im Tafel schließt den Motor ein El peso en la tabla incluye el motor

Ulteriori informazioni e quote:
 ■ Ulérieures informations et cotes:
 ■ Further information and sizes:
 ■ Weitere Infos und Größen:
 ■ Más informaciones y medidas:

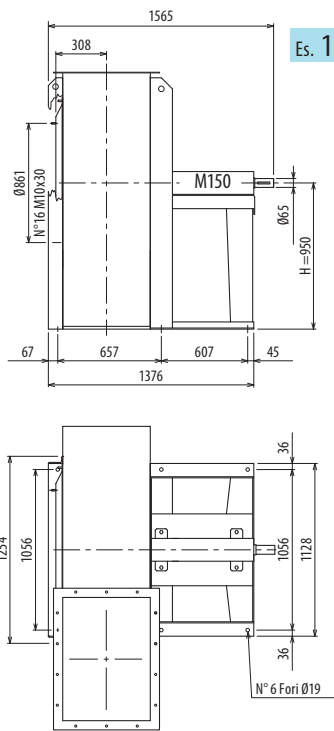
| TIPO • Type | | PESO Weight | PD ² | B | I | H | H1 | H2 | R | S | M | U |
|-----------------|--------------|-------------|----------------------|------|-----|-----|-----|------|----|-----|-----|------|
| VENTILATORE Fan | MOTORE Motor | Kg | Kgf x m ² | | | | | | | | | |
| PRU900/4R | 180 M4 | 590 | 34 | 1146 | 361 | 850 | 630 | 1060 | 39 | 600 | 460 | 1047 |
| PRU900/4R | 180 L4 | 605 | 34 | 1146 | 361 | 850 | 630 | 1060 | 39 | 600 | 460 | 1047 |
| PRU900/4 | 200 L4 | 687 | 37 | 1254 | 401 | 850 | 630 | 1060 | 39 | 600 | 500 | 1087 |
| PRU900/6 | 160 M6 | 504 | 36 | 1065 | 316 | 850 | 630 | 1060 | 60 | 600 | 436 | 1023 |
| PRU900/T | | 485 | 34 | | | 850 | 630 | 1060 | | | | |

pg. / s. 4,6
 pg. / s. 4,5

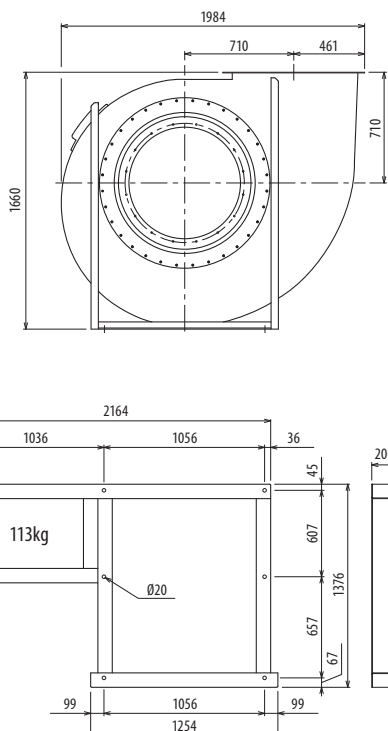




Es. 4



Es. 1



Il ventilatore non è orientabile • Peso in tabella comprensivo di motore

- Le ventilateur n'est pas orientable
 - The fan is not revolvable
 - Der Ventilator ist nicht drehbar
 - El ventilador no es orientable
- Le poids dans le tableau inclut le moteur The weight indicated in the table includes motor Das Gewicht im Tafel schließt den Motor ein El peso en la tabla incluye el motor

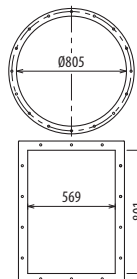
Ulteriori informazioni e quote:

- Ulérieures informations et cotes:
- Further information and sizes:
- Weitere Infos und Größen:
- Más informaciones y medidas:

| TIPO • Type | | PESO Weight | PD ² | | | | | | | | | |
|-----------------|--------------|-------------|----------------------|------|-----|-----|-----|------|----|-----|-----|------|
| VENTILATORE Fan | MOTORE Motor | Kg | Kgf x m ² | B | I | H | H1 | H2 | R | S | M | U |
| PRU1000/4R | 225 S4 | 933 | 60 | 1318 | 440 | 950 | 710 | 1180 | 45 | 657 | 540 | 1209 |
| PRU1000/4 | 225 M4 | 975 | 65 | 1378 | 440 | 950 | 710 | 1180 | 45 | 657 | 540 | 1209 |
| PRU1000/6R | 160 L6 | 684 | 58 | 1147 | 315 | 950 | 710 | 1180 | 66 | 657 | 436 | 1105 |
| PRU1000/6 | 180 L6 | 759 | 62 | 1279 | 360 | 950 | 710 | 1180 | 45 | 657 | 460 | 1129 |
| PRU1000/T | | 710 | 65 | | | 950 | 710 | 1180 | | | | |

pg. / s. 4,6

pg. / s. 4,5



RD0 LG0

RD45 LG45

RD90 LG90

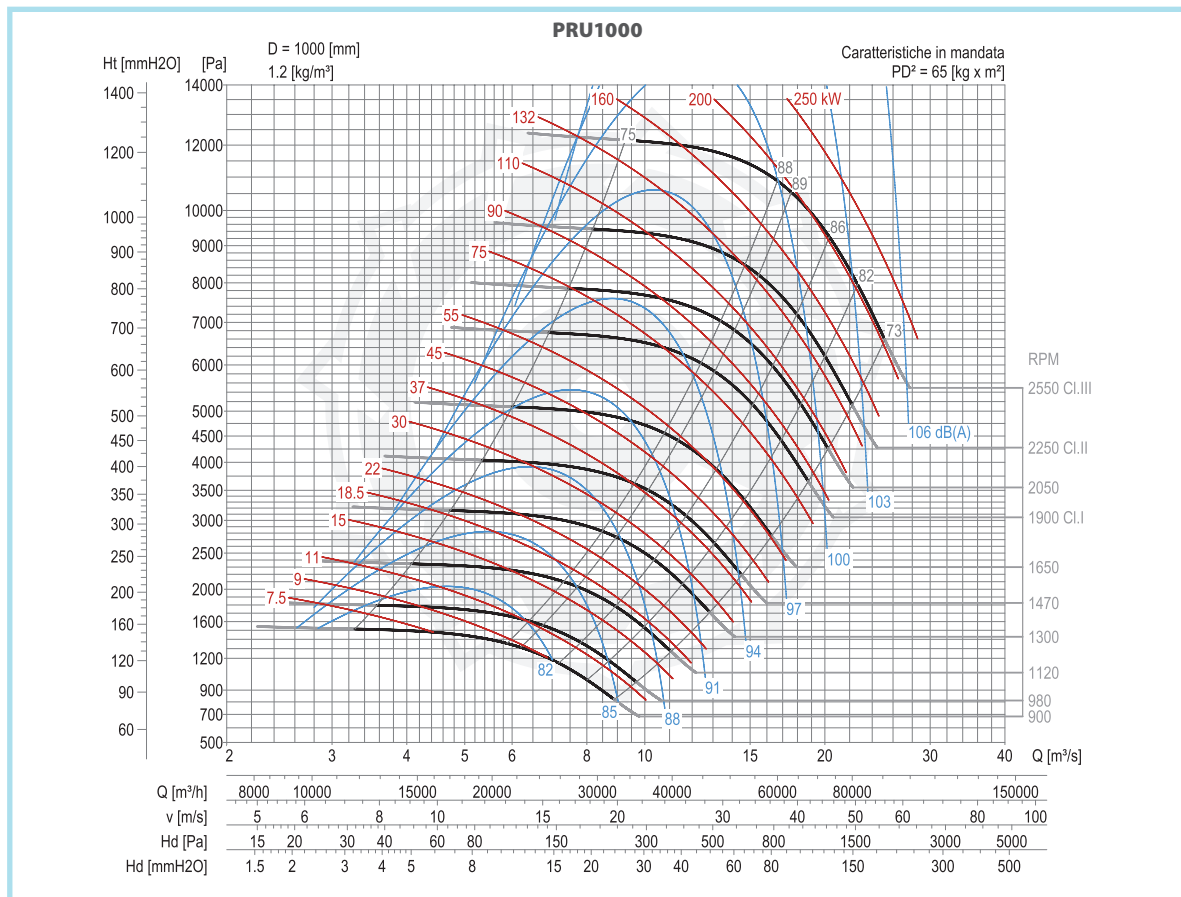
RD135 LG135

RD180 LG180

RD225 LG225

RD270 LG270

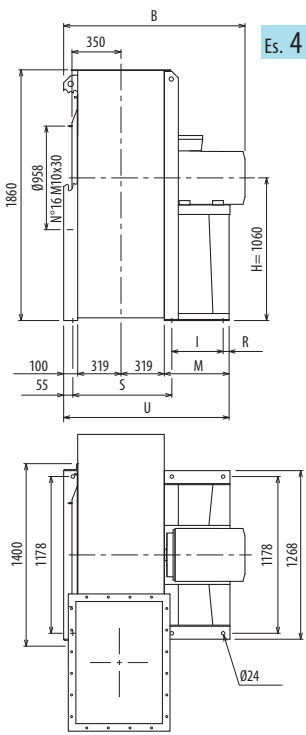
RD315 LG315



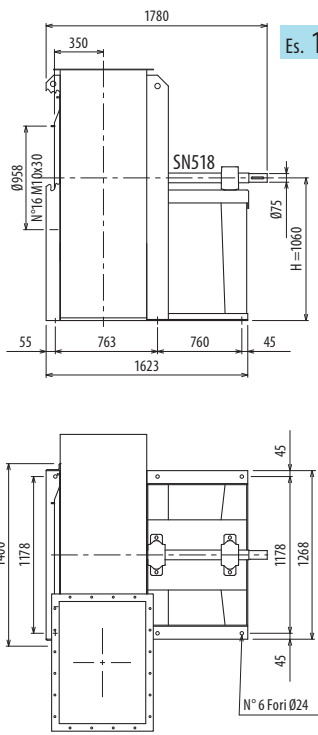
DIMENSIONI D'INGOMBRO E PESI/CURVE DI FUNZIONAMENTO

PRU1120

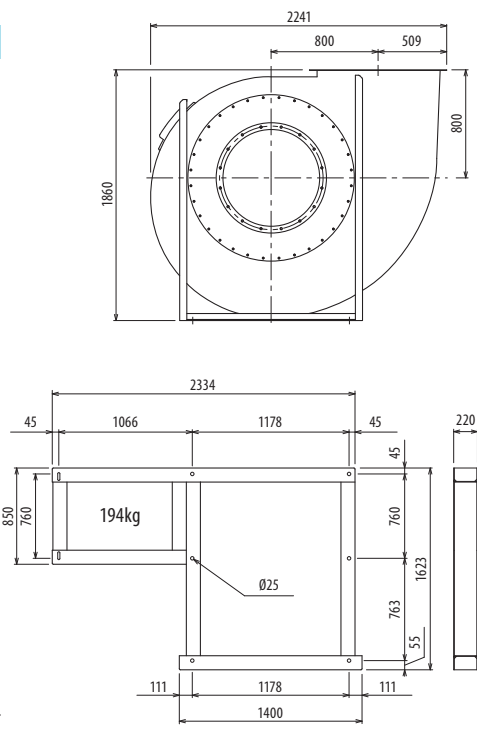
■ DIMENSIONS D'ENCOMBREMENT ET POIDS/COURBES DE FONCTIONNEMENT ■ OVERALL DIMENSIONS AND WEIGHT/WORKING CURVES
 ■ AUSMAßE UND GEWICHTE/FUNKTIONSKURVEN ■ DIMENSIONES QUE OCUPA Y PESOS/CURVAS DE FUNCIONAMIENTO



Es. 4



Es. 1

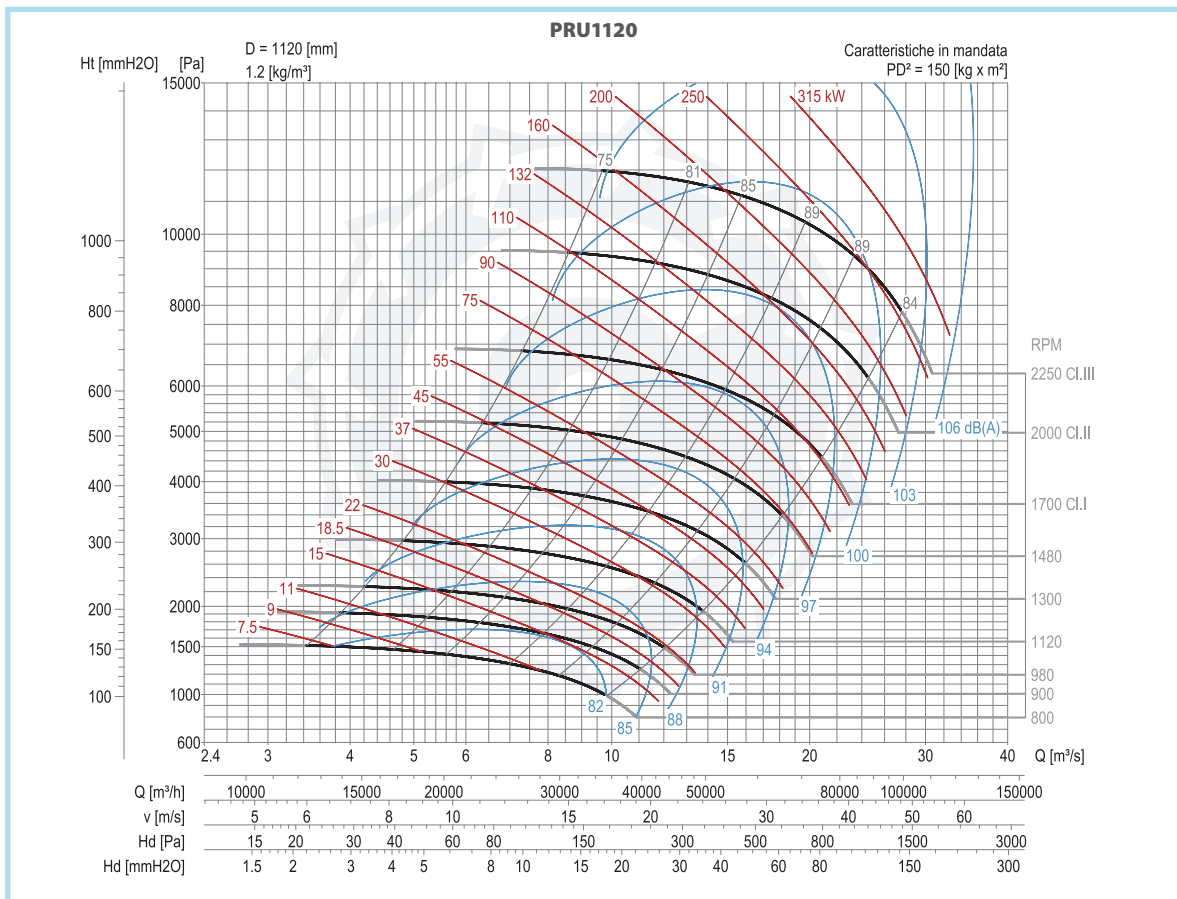
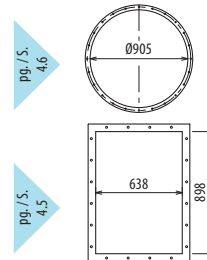


Il ventilatore non è orientabile • Peso in tabella comprensivo di motore

■ Le ventilateur n'est pas orientable ■ The fan is not revolvable ■ Der Ventilator ist nicht drehbar ■ El ventilador no es orientable
 Le poids dans le tableau inclut le moteur The weight indicated in the table includes motor Das Gewicht im Tafel schließt den Motor ein El peso en la tabla incluye el motor

Ulteriori informazioni e quote:
 ■ Ulérieures informations et cotes:
 ■ Further information and sizes:
 ■ Weitere Infos und Größen:
 ■ Más informaciones y medidas:

| TIPO • Type | | PESO Weight | PD ² | | | | | | | | | | | |
|-----------------|--------------|-------------|----------------------|------|-----|------|-----|------|----|-----|-----|------|--|--|
| VENTILATORE Fan | MOTORE Motor | Kg | Kgf x m ² | B | I | H | H1 | H2 | R | S | M | U | | |
| PRU1120/4R | 250 M4 | 1210 | 140 | 1555 | 475 | 1060 | 800 | 1320 | 45 | 763 | 600 | 1338 | | |
| PRU1120/4 | 280 S4 | 1390 | 150 | 1558 | 565 | 1060 | 800 | 1320 | 45 | 763 | 690 | 1428 | | |
| PRU1120/6R | 200A L6 | 935 | 135 | 1405 | 375 | 1060 | 800 | 1320 | 45 | 763 | 500 | 1238 | | |
| PRU1120/6 | 200B L6 | 956 | 145 | 1405 | 375 | 1060 | 800 | 1320 | 45 | 763 | 500 | 1238 | | |
| PRU1120/T | | 1000 | 150 | | | 1060 | 800 | 1320 | | | | | | |



RD0 LG0

RD45 LG45

RD90 LG90

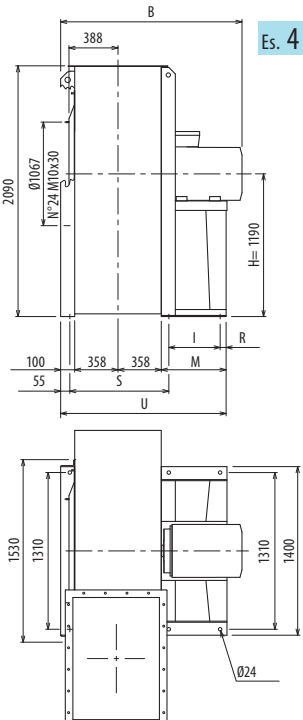
RD135 LG135

RD180 LG180

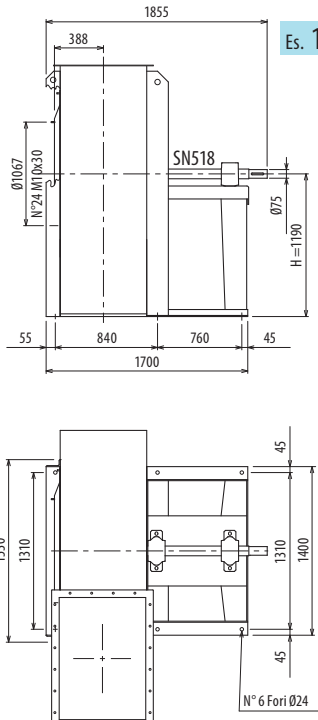
RD225 LG225

RD270 LG270

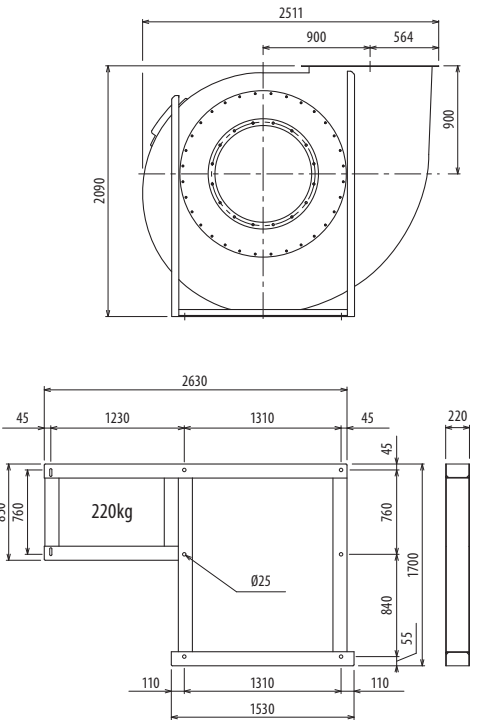
RD315 LG315



Es. 4



Es. 1

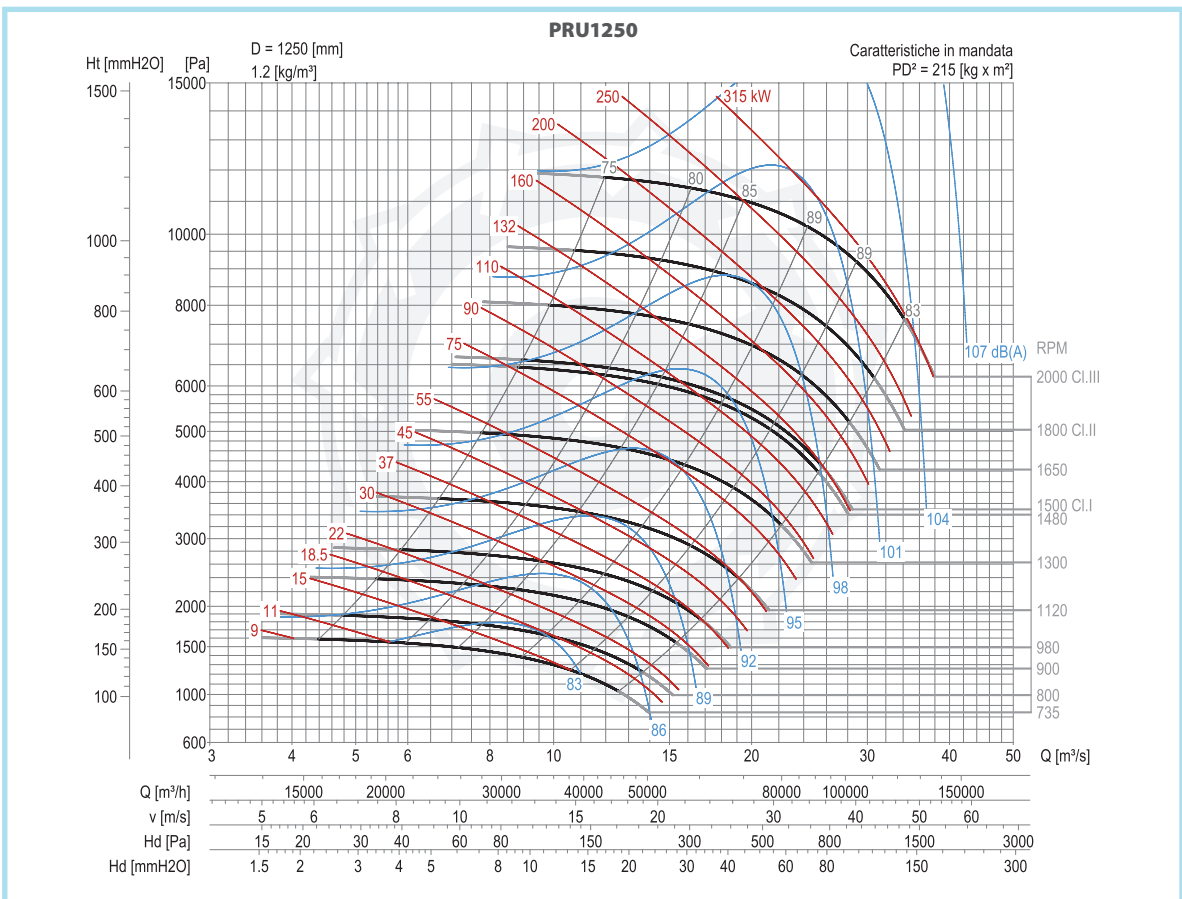
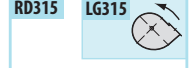
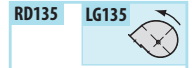
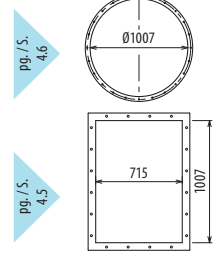


Il ventilatore non è orientabile • Peso in tabella comprensivo di motore

- Le ventilateur n'est pas orientable
- The fan is not revolvable
- Der Ventilator ist nicht drehbar
- El ventilador no es orientable
- Ulteriori informazioni e quote:
- Ulérieures informations et cotes:
- Further information and sizes:
- Weitere Infos und Größen:
- Más informaciones y medidas:

| TIPO • Type | | PESO Weight | PD ² | | | | | | | | | | | |
|-----------------|--------------|-------------|----------------------|------|-----|------|-----|------|----|-----|-----|------|--|--|
| VENTILATORE Fan | MOTORE Motor | Kg | Kgf x m ² | B | I | H | H1 | H2 | R | S | M | U | | |
| PRU1250/4R | 315 S4 | 1860 | 210 | 1847 | 675 | 1190 | 900 | 1500 | 45 | 840 | 800 | 1615 | | |
| PRU1250/4 | 315 M4 | 2055 | 215 | 1847 | 675 | 1190 | 900 | 1500 | 45 | 840 | 800 | 1615 | | |
| PRU1250/6R | 225 M6 | 1283 | 205 | 1524 | 415 | 1190 | 900 | 1500 | 45 | 840 | 540 | 1355 | | |
| PRU1250/6 | 250 M6 | 1378 | 210 | 1632 | 475 | 1190 | 900 | 1500 | 45 | 840 | 600 | 1415 | | |
| PRU1250/T | | 1145 | 214 | | | 1190 | 900 | 1500 | | | | | | |

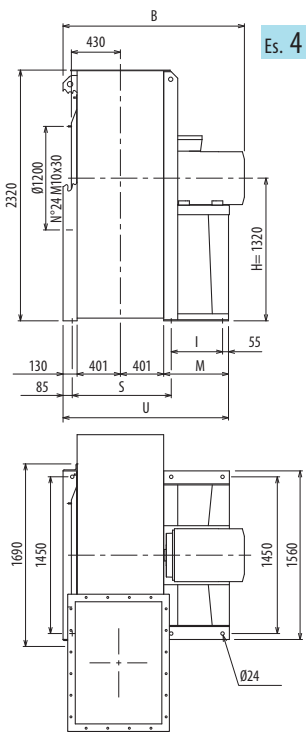
Ulteriori informazioni e quote:
 ■ Ulérieures informations et cotes:
 ■ Further information and sizes:
 ■ Weitere Infos und Größen:
 ■ Más informaciones y medidas:



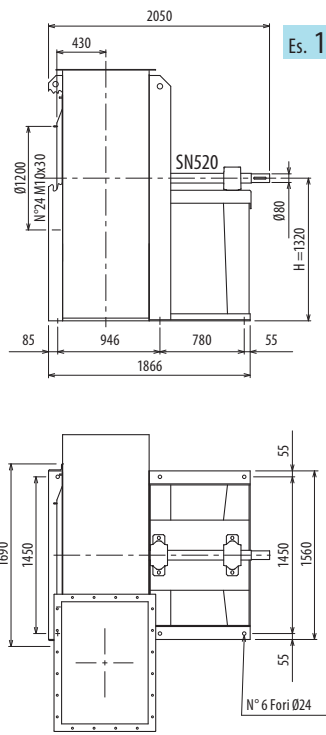
DIMENSIONI D'INGOMBRO E PESI/CURVE DI FUNZIONAMENTO

PRU1400

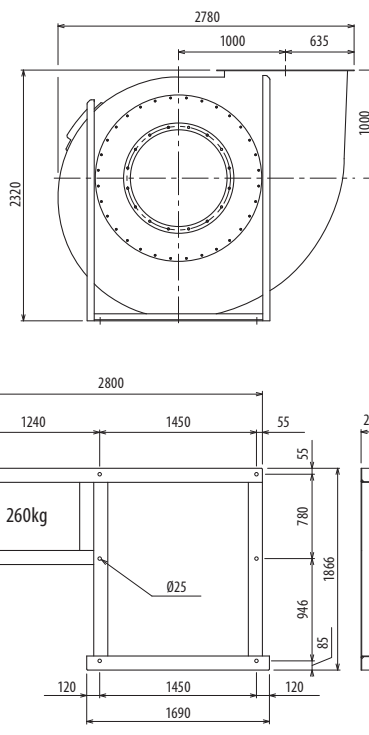
■ DIMENSIONS D'ENCOMBREMENT ET POIDS/COURBES DE FONCTIONNEMENT ■ OVERALL DIMENSIONS AND WEIGHT/WORKING CURVES
 ■ AUSMAßE UND GEWICHTE/FUNKTIONSKURVEN ■ DIMENSIONES QUE OCUPA Y PESOS/CURVAS DE FUNCIONAMIENTO



Es. 4



Es. 1

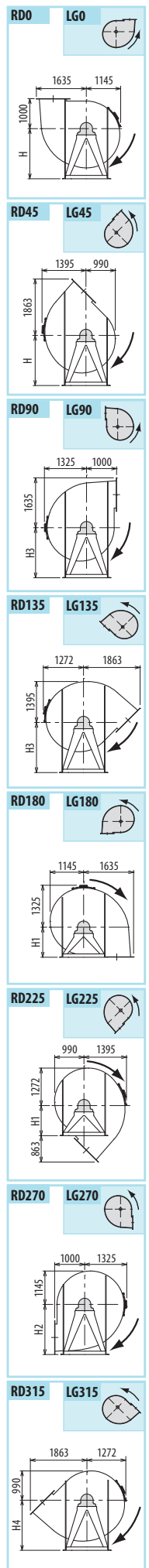
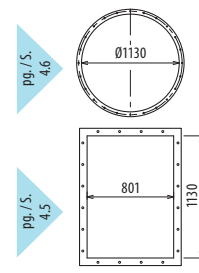


Il ventilatore non è orientabile • Peso in tabella comprensivo di motore

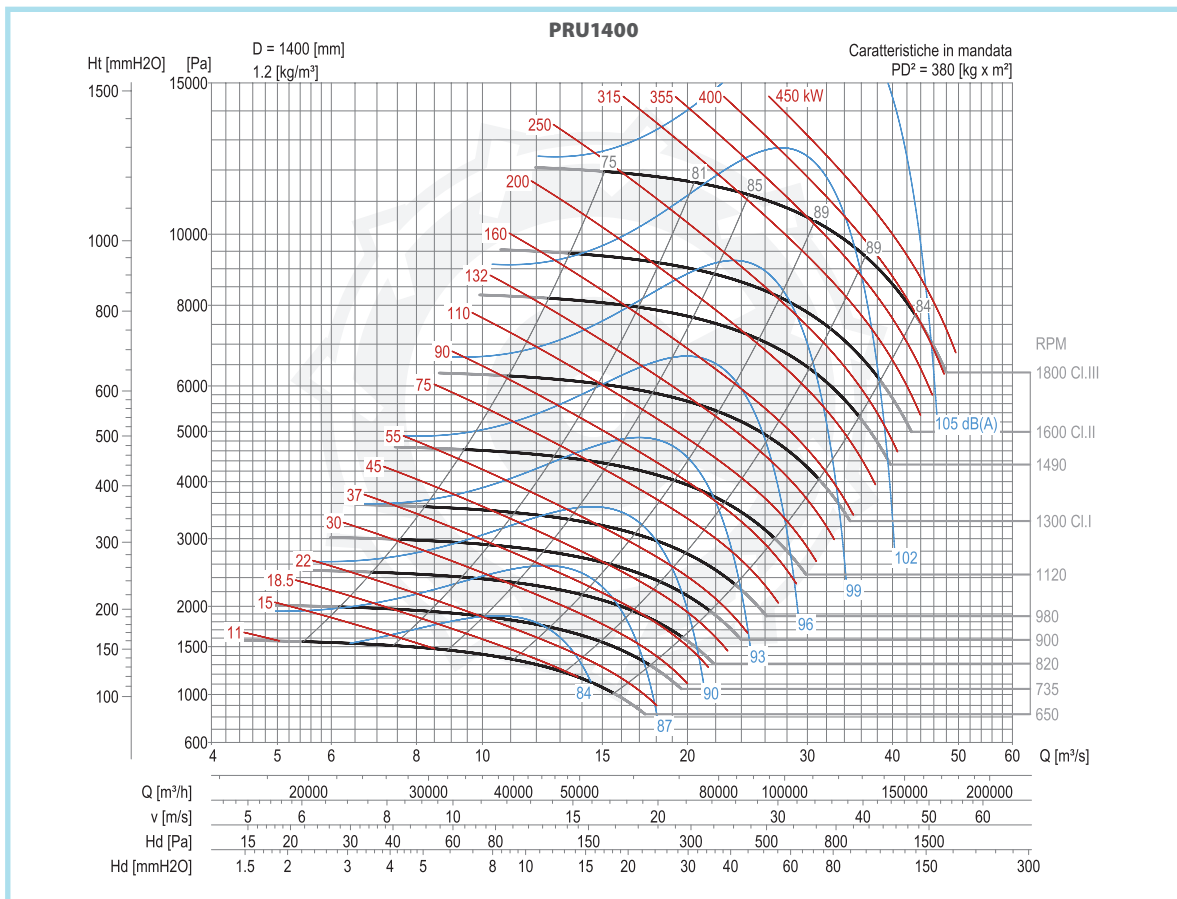
■ Le ventilateur n'est pas orientable ■ The fan is not revolvable ■ Der Ventilator ist nicht drehbar ■ El ventilador no es orientable
 Le poids dans le tableau inclut le moteur The weight indicated in the table includes motor Das Gewicht im Tafel schließt den Motor ein El peso en la tabla incluye el motor

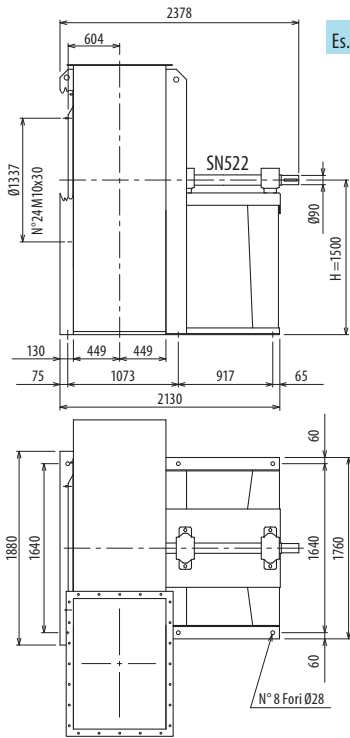
Ulteriori informazioni e quote:
 ■ Ulérieures informations et cotes:
 ■ Further information and sizes:
 ■ Weitere Infos und Größen:
 ■ Más informaciones y medidas:

| TIPO • Type | | PESO Weight | PD ² | B | I | H | H1 | H2 | H3 | H4 | M | S | U |
|-----------------|--------------|-------------|----------------------|------|-----|------|------|------|------|------|-----|-----|------|
| VENTILATORE Fan | MOTORE Motor | Kg | Kgf x m ² | | | | | | | | | | |
| PRU1400/4R | 315 LB4 | 2766 | 280 | 1963 | 645 | 1320 | 1000 | 1700 | 1320 | 1700 | 800 | 946 | 1731 |
| PRU1400/4 | 315 4 | 2766 | 380 | 1963 | 645 | 1320 | 1000 | 1700 | 1320 | 1700 | 800 | 946 | 1731 |
| PRU1400/6R | 280 S6 | 2150 | 280 | 1751 | 535 | 1320 | 1000 | 1700 | 1320 | 1700 | 690 | 946 | 1621 |
| PRU1400/6 | 315 S6 | 2356 | 380 | 1963 | 645 | 1320 | 1000 | 1700 | 1320 | 1700 | 800 | 946 | 1731 |
| PRU1400/T | | 1740 | 380 | | | 1320 | 1000 | 1700 | 1120 | 1500 | | | |

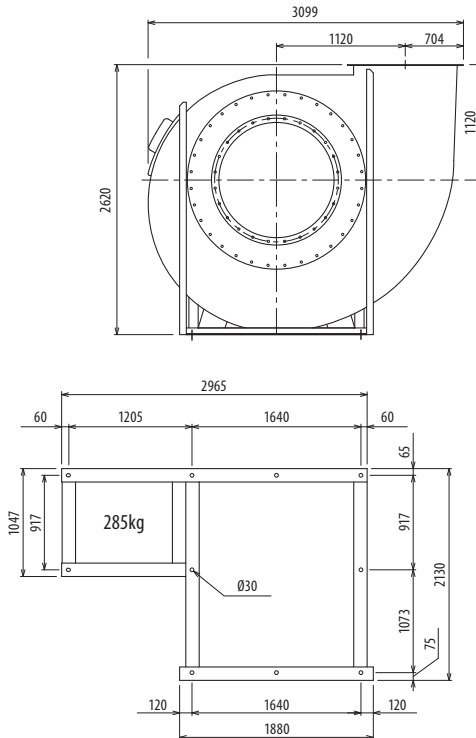


PRU





Es. 1

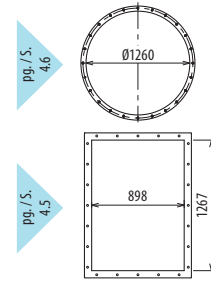


Il ventilatore non è orientabile • Peso in tabella comprensivo di motore

- Le ventilateur n'est pas orientable
 - The fan is not revolvable
 - Der Ventilator ist nicht drehbar
 - El ventilador no es orientable
- Le poids dans le tableau inclut le moteur The weight indicated in the table includes motor Das Gewicht im Tafel schließt den Motor ein El peso en la tabla incluye el motor

Ulteriori informazioni e quote:
 ■ Ulérieures informations et cotes:
 ■ Further information and sizes:
 ■ Weitere Infos und Größen:
 ■ Más informaciones y medidas:

| TIPO • Type | | PESO Weight | PD ² | | | | | | | |
|-----------------|--------------|-------------|----------------------|---|---|------|------|------|------|------|
| VENTILATORE Fan | MOTORE Motor | Kg | Kgf x m ² | B | I | H | H1 | H2 | H3 | H4 |
| PRU1600/T | | 2462 | 680 | | | 1500 | 1120 | 1900 | 1250 | 1600 |



RD0 LG0

RD45 LG45

RD90 LG90

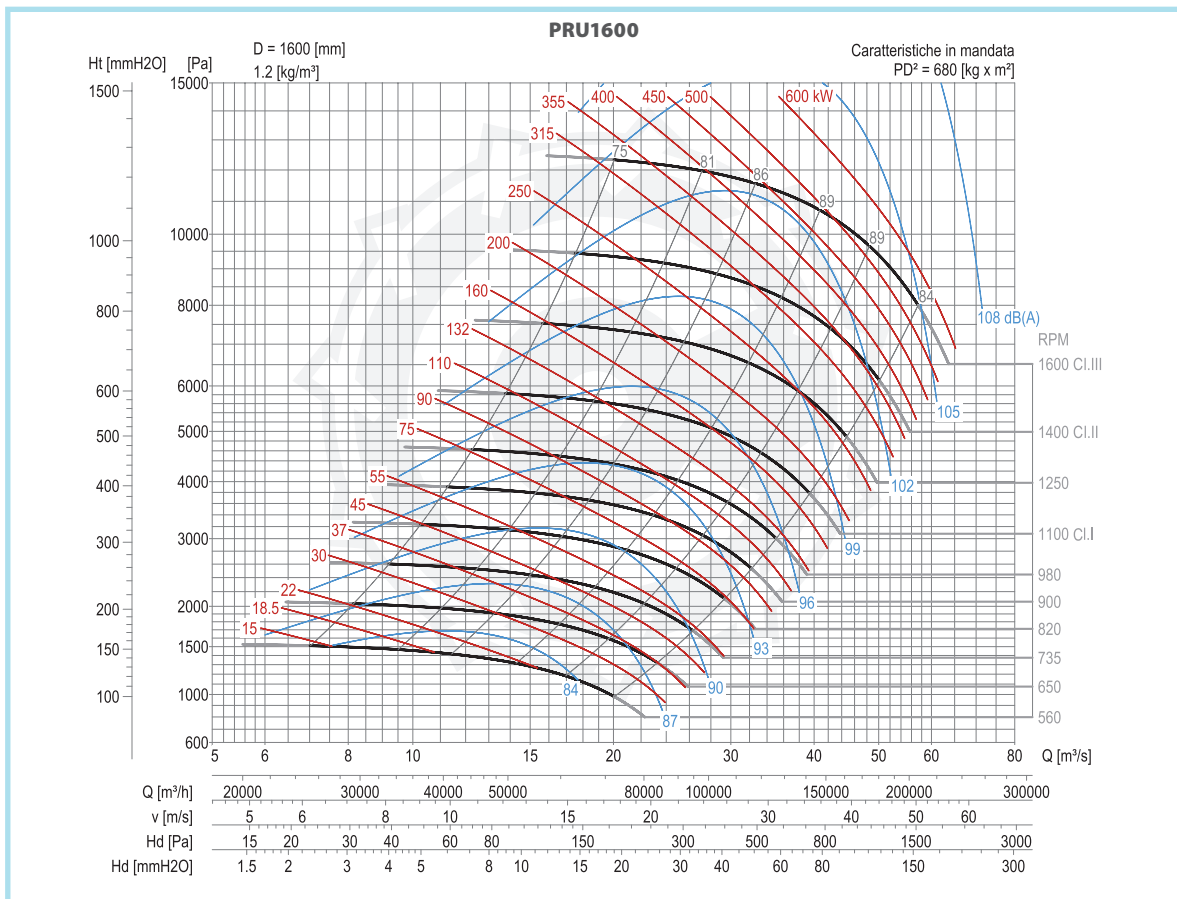
RD135 LG135

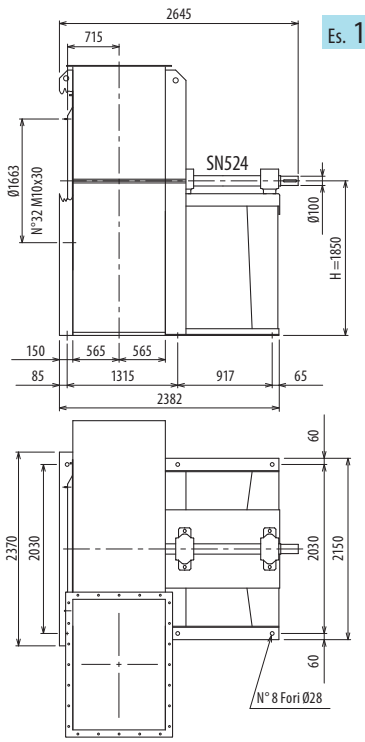
RD180 LG180

RD225 LG225

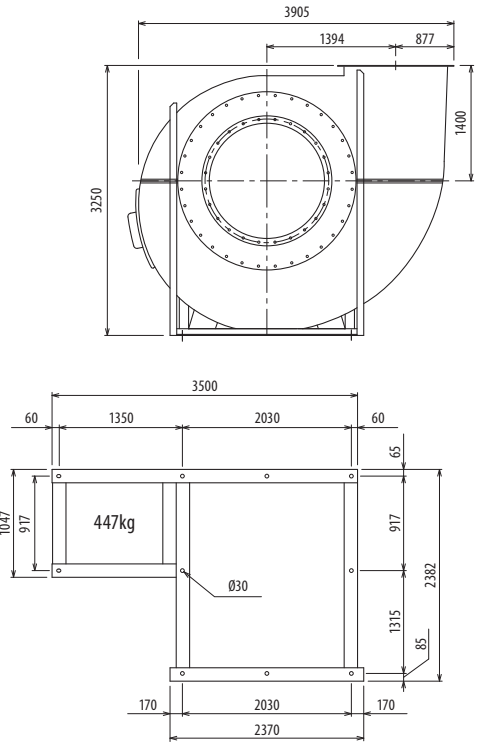
RD270 LG270

RD315 LG315





Es. 1



Il ventilatore non è orientabile

■ Le ventilateur n'est pas orientable

■ The fan is not revolvable

■ Der Ventilator ist nicht drehbar

■ El ventilador no es orientable

| TIPO - Type | | PESO Weight | PD ² | | | | | | | | | |
|-----------------|--------------|-------------|----------------------|------|------|------|------|------|------|------|----|----|
| VENTILATORE Fan | MOTORE Motor | Kg | Kgf x m ² | B | I | H | H1 | H2 | H3 | H4 | H5 | H6 |
| PRU2000/T | | 4300 | 2000 | 1850 | 1400 | 2360 | 1750 | 1600 | 1450 | 2000 | | |

Ulteriori informazioni e quote:

■ Ultrieures informations et cotes:

■ Further information and sizes:

■ Weitere Infos und Größen:

■ Más informaciones y medidas:

pg. / s. 4,6



pg. / s. 4,5

